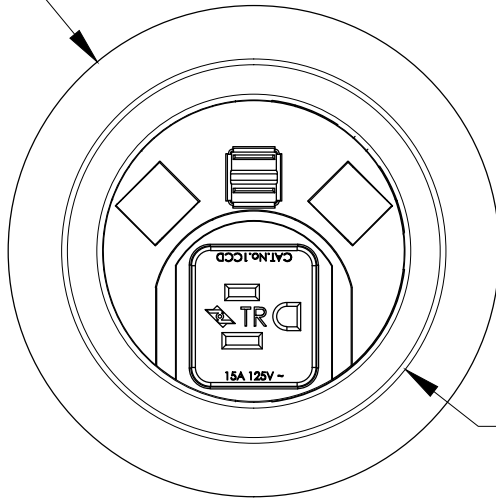
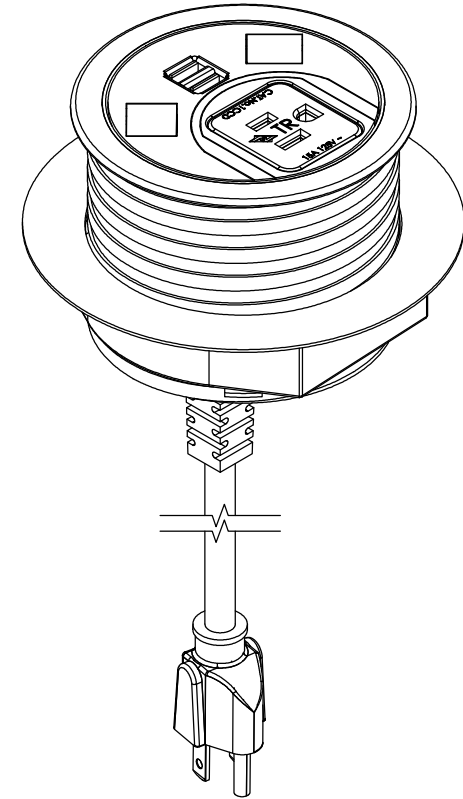


Ø130.00mm
[Ø5 1/8]



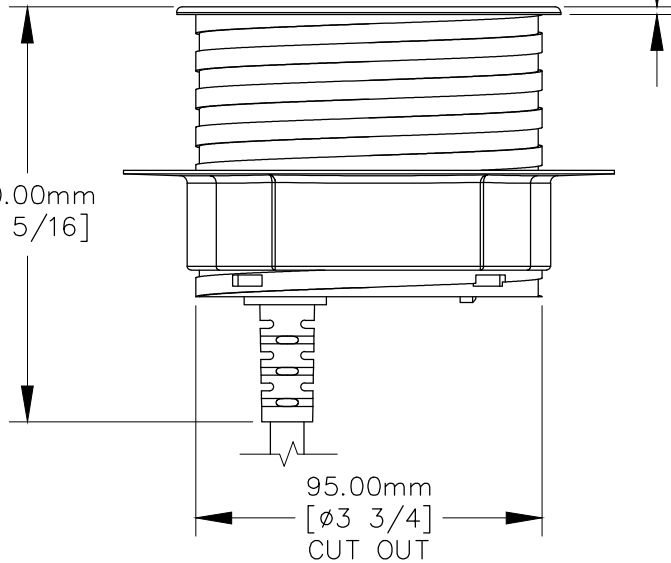
102.00mm
[Ø4]

TOP VIEW



2.00mm
[3/32]

110.00mm
[4 5/16]



95.00mm
[Ø3 3/4]
CUT OUT

FRONT VIEW

NOTES:

1. USB ports are for charging use ONLY.
2. 9 ft. power cord.
3. 1/2" MIN. to 2" MAX. table thickness.

PART NAME: PCS63		DRAWN BY: FM		LAST EDITED: FM		REQUESTED BY: FM		SHEET: 1 OF 1	
SCALE: N.T.S.	TOLERANCE: ± 1 / 16 "	DATE: 2019.05.24	DATE: 2019.06.05	DATE: 12:00am	APPROVED BY: -				