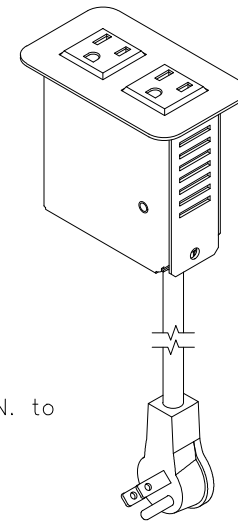
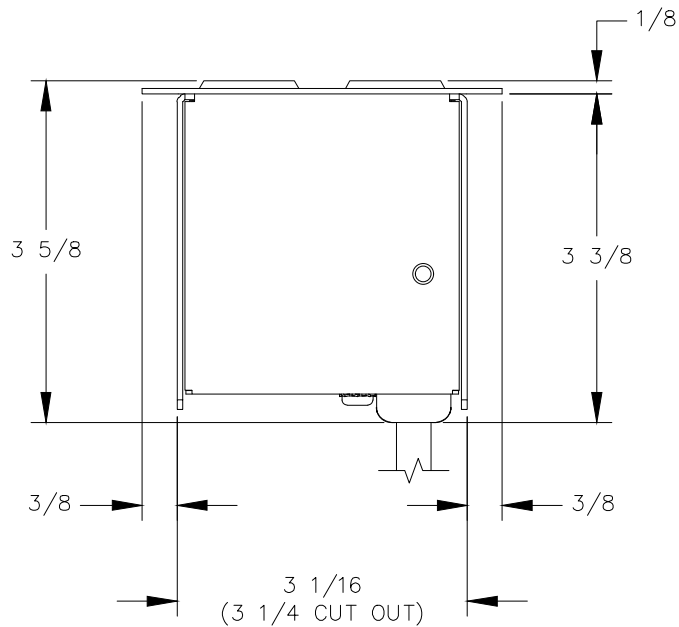


TOP VIEW

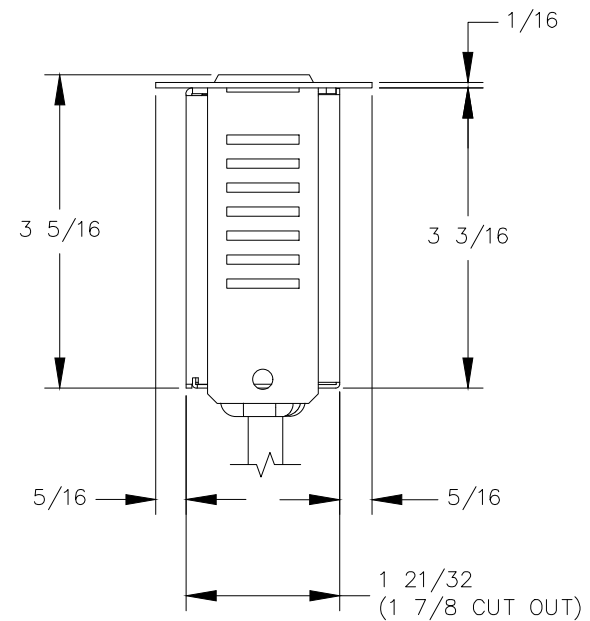


NOTE:

1. Cord length is 9 ft.
2. Table thickness is 1/2 MIN. to 2 MAX.



FRONT VIEW



SIDE VIEW