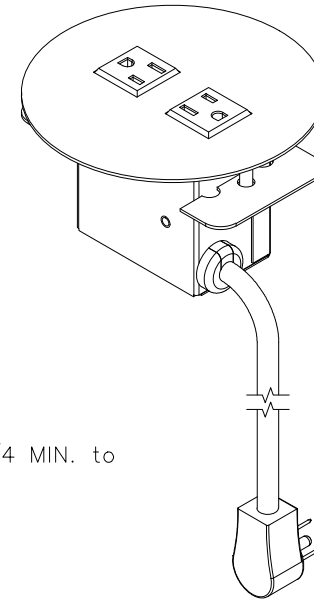
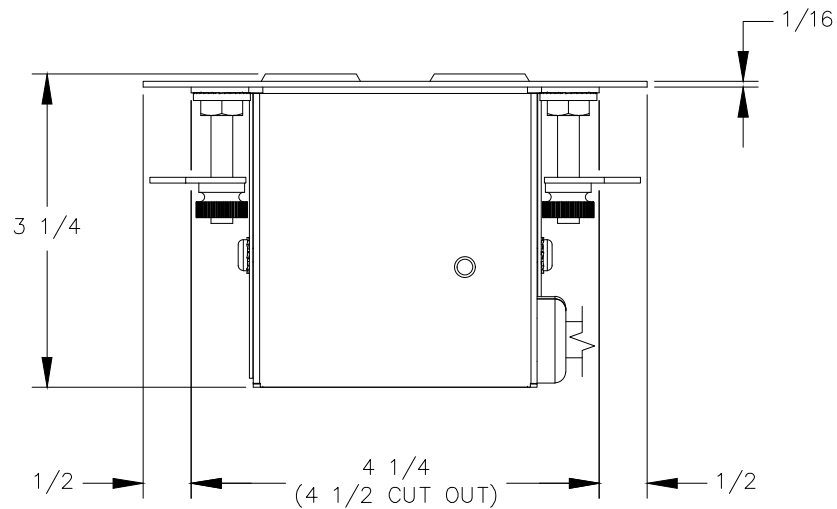


TOP VIEW

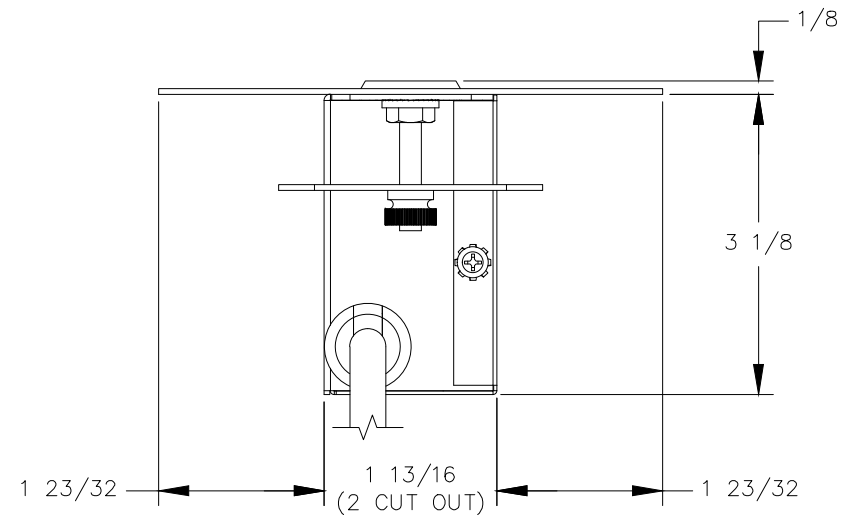


NOTE:

1. Cord length is 9 ft.
2. Table thickness is 3/4 MIN. to 1 1/4 MAX.



FRONT VIEW



SIDE VIEW