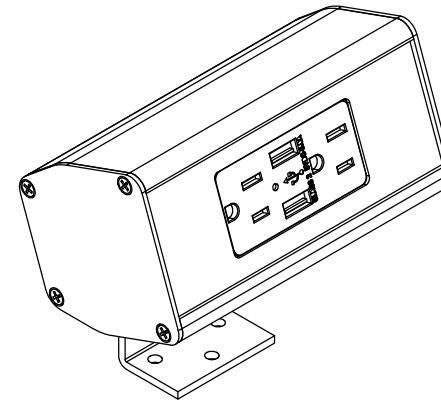
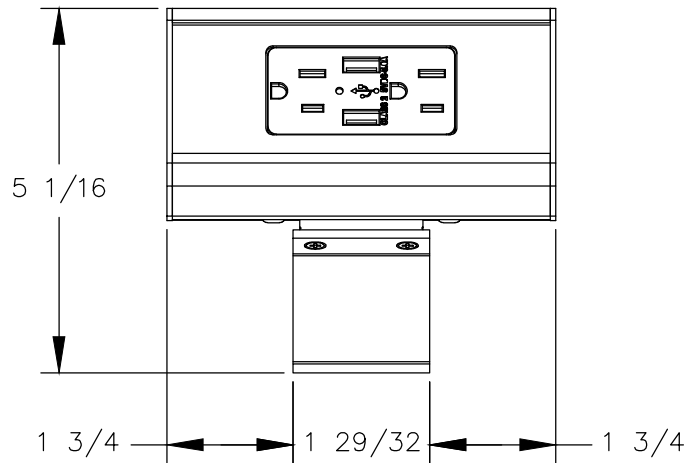


TOP VIEW

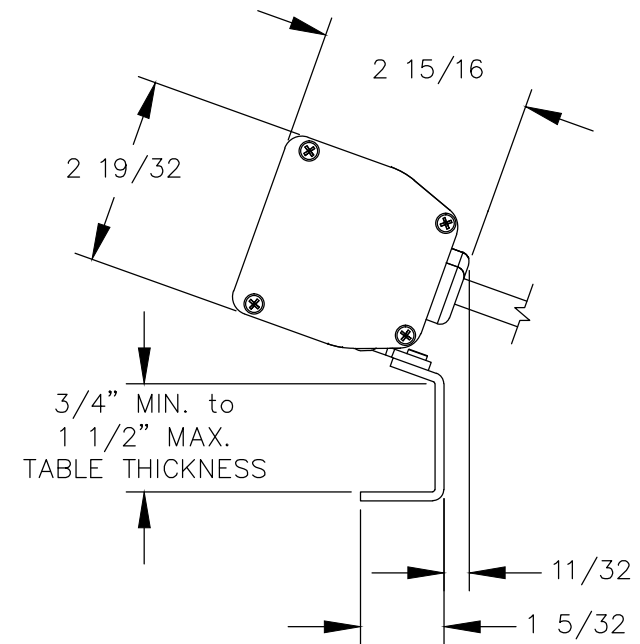


NOTES:

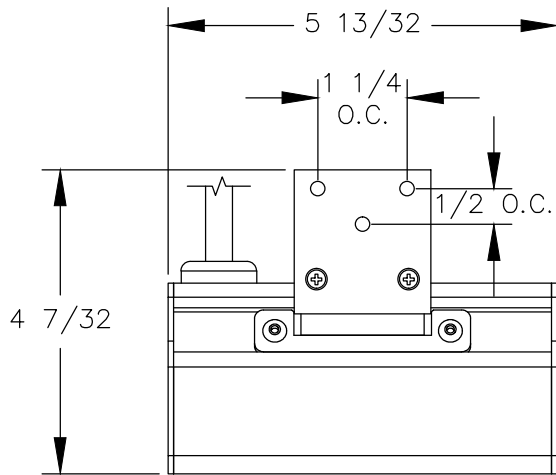
1. Cord length 6 ft.
2. Table thickness is 3/4" MIN. to 1-1/2" MAX.
3. USB ports are for charging use only.



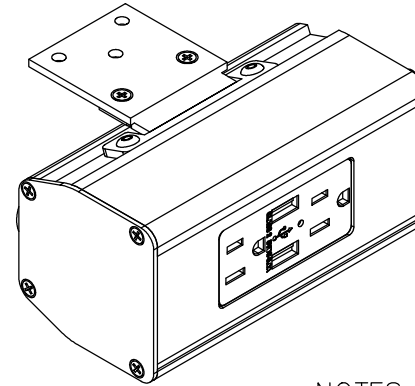
FRONT VIEW



RIGHT VIEW

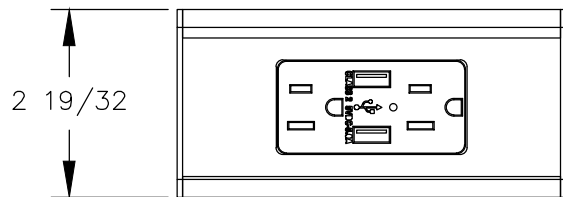


TOP VIEW

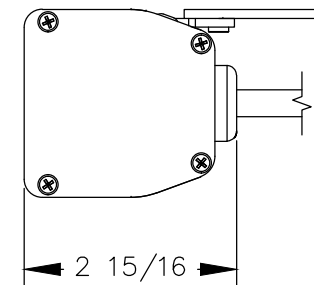


NOTES:

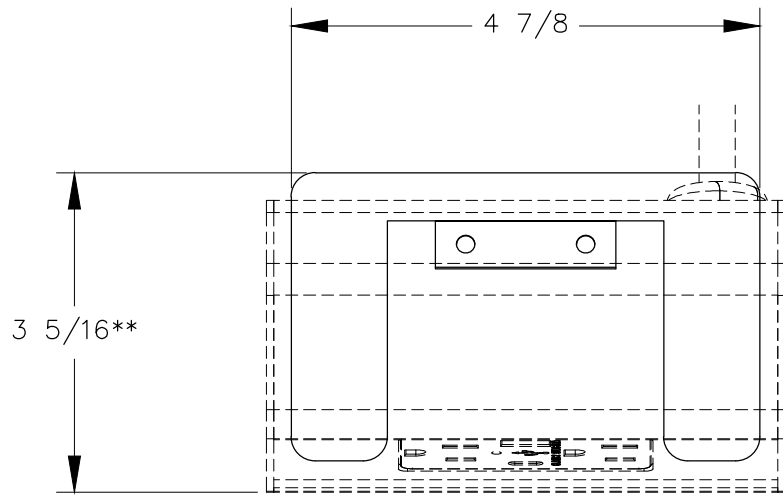
1. Cord length 6 ft.
2. Table thickness is 3/4" MIN.
3. USB ports are for charging use only.



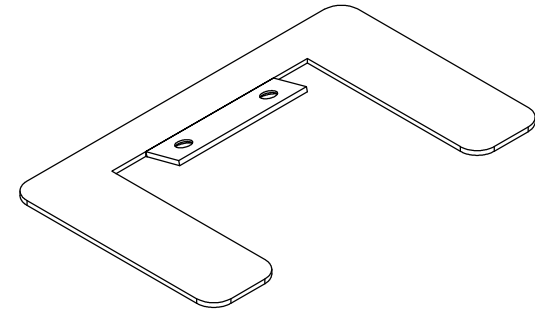
FRONT VIEW



RIGHT VIEW

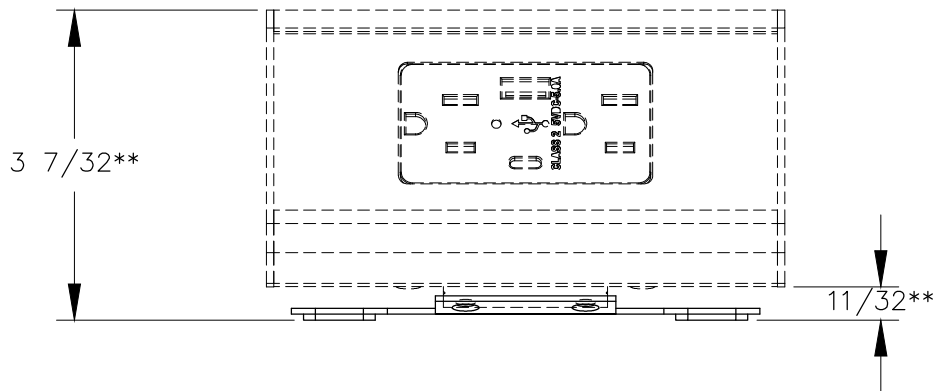


TOP VIEW

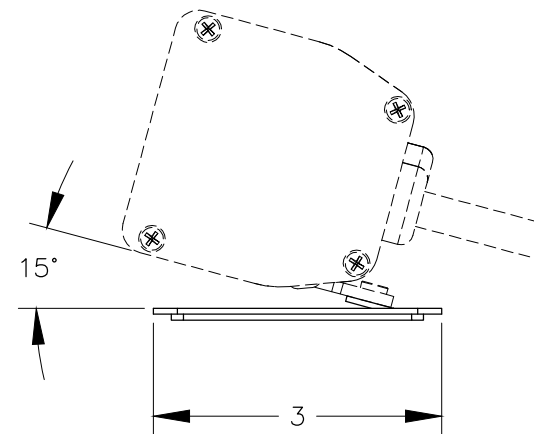


NOTES:

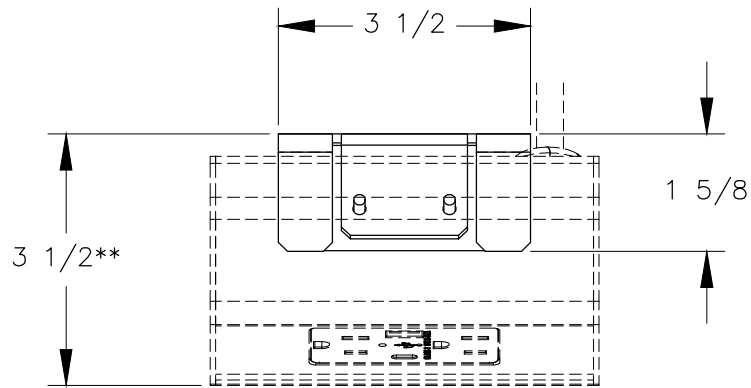
1. \*\*PCS61 unit shown in drawing for reference only. Not included.
2. Freestanding mount ONLY.



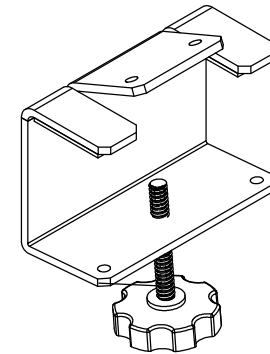
FRONT VIEW



RIGHT VIEW

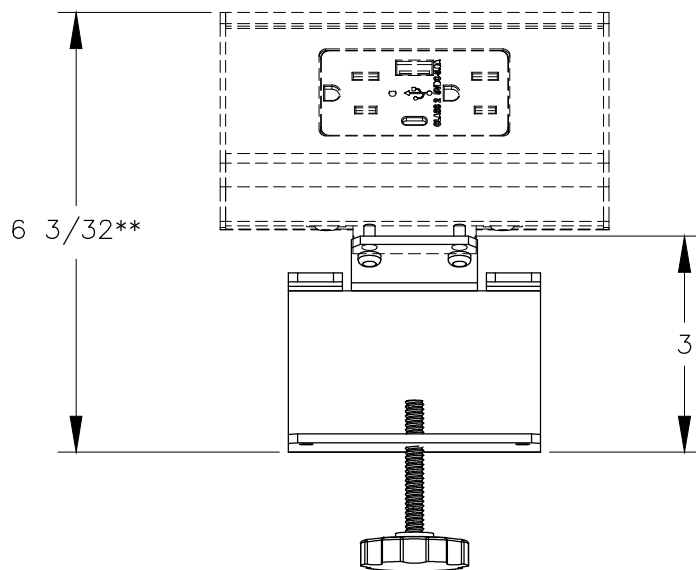


TOP VIEW

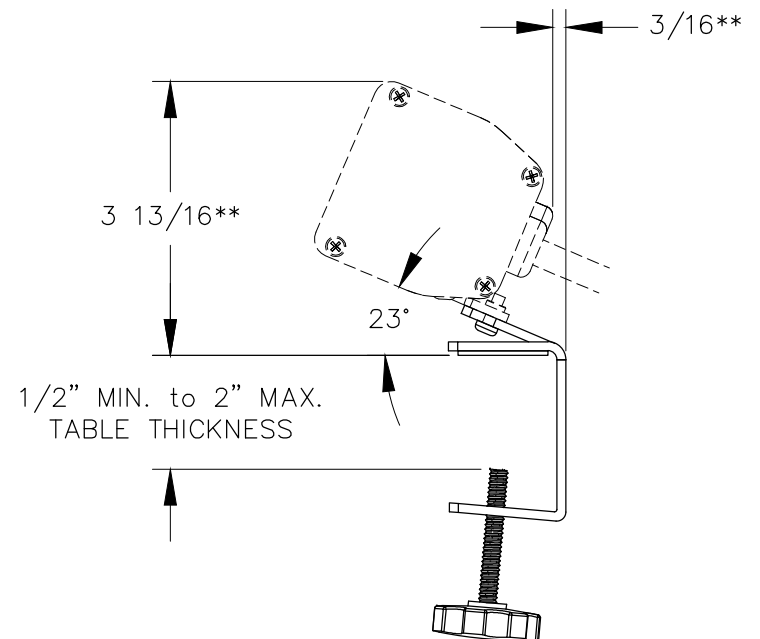


NOTES:

1. \*\*PCS61 unit shown in drawing for reference only. Not included.
2. Clamp mount ONLY.



FRONT VIEW



RIGHT VIEW