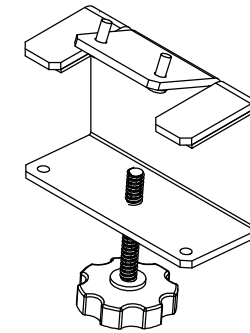
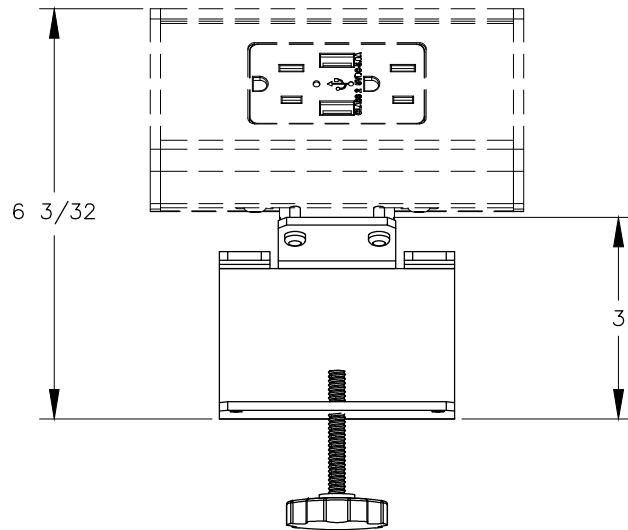


TOP VIEW

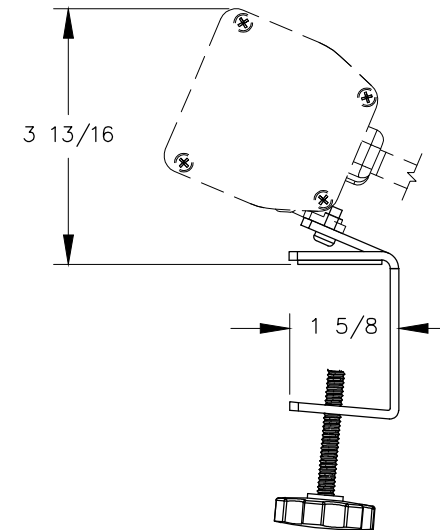


NOTE:

1. PCS61 unit NOT INCLUDED with clamp mount. PCS61 unit sold separately.
2. Table thickness is 1/2" Min. to 2" Max.



FRONT VIEW



SIDE VIEW