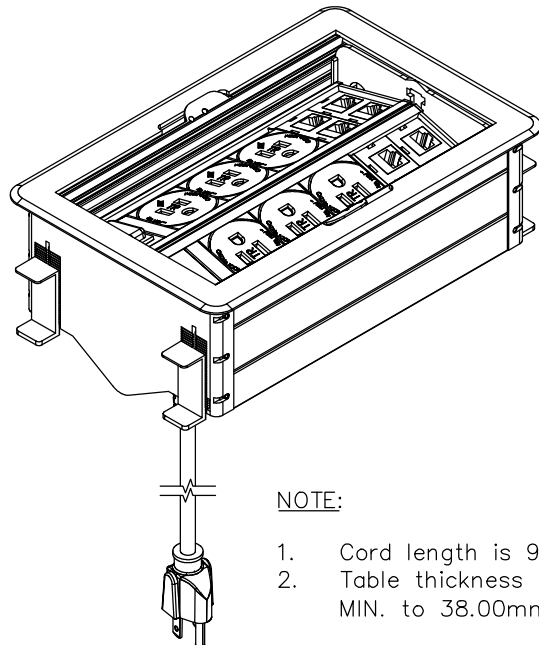
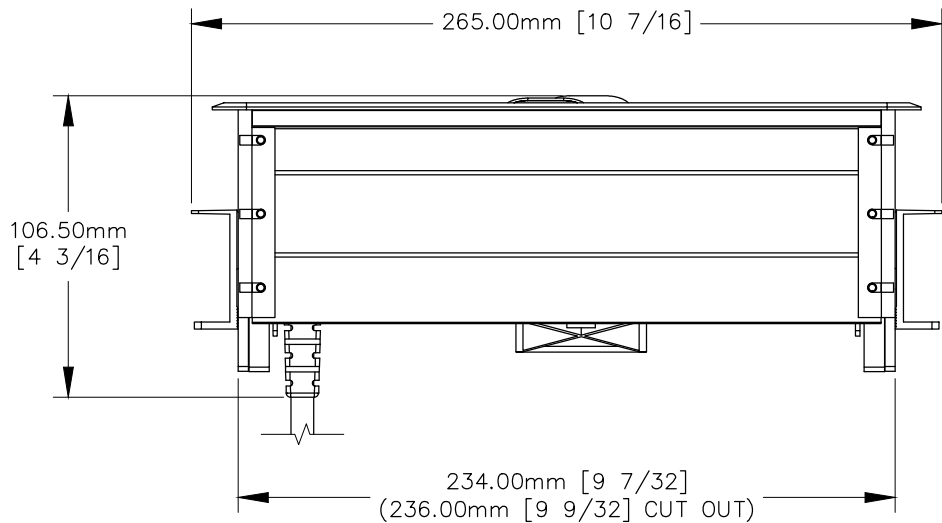


TOP VIEW

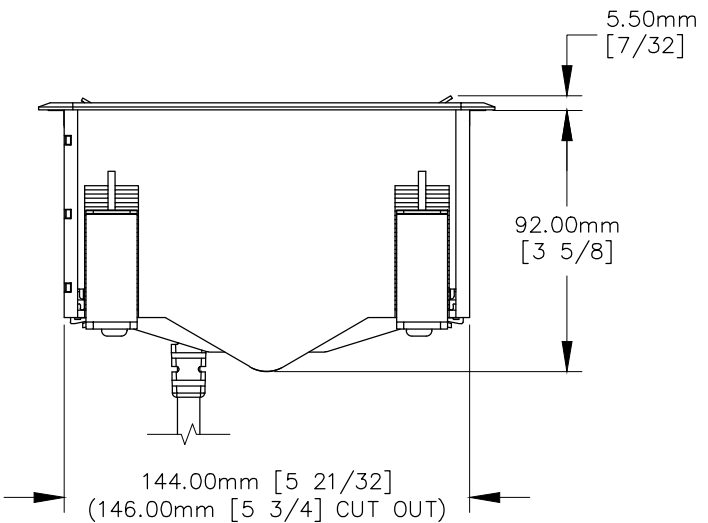


NOTE:

1. Cord length is 9 ft.
2. Table thickness is 20.00mm [13/16] MIN. to 38.00mm [1 1/2] MAX.



FRONT VIEW



RIGHT VIEW



P.O. BOX 3333
 MANHATTAN BEACH, CA 90266 USA
 PHONE: 310.318.2491 FAX: 310.376.7650
 email: info@mockett.com www.mockett.com

PROPRIETARY AND CONFIDENTIAL.
 ALL DIMENSIONS HAVE A +/- 1/32" TOLERANCE UNLESS OTHERWISE SPECIFIED. WE DO NOT RECOMMEND DRILLING OR CUTTING ANY HOLES BEFORE RECEIVING A PRODUCT OR A PRODUCT SAMPLE.
 ALL MEASUREMENTS ARE IN INCHES.

PART NAME: PCS59/M		DRAWN BY: FM	LAST EDITED: FM	REQUESTED BY: JT	SHEET: 1 OF 1
SCALE: N.T.S.	TOLERANCE: ± 1 / 16 "	DATE: 2020.04.13	DATE: 2020.08.10 12:00am	APPROVED BY: -	