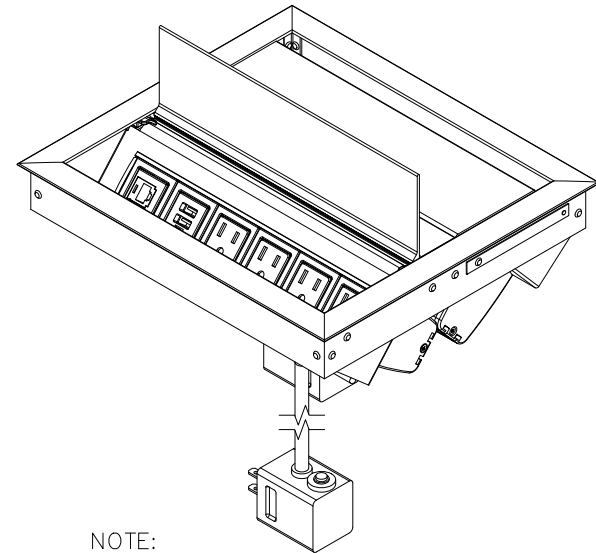
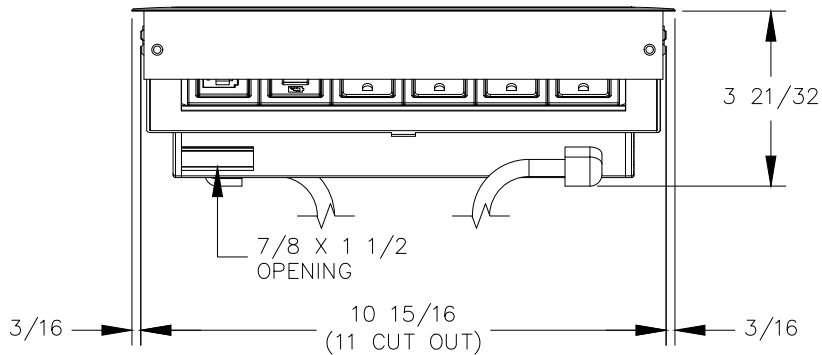


TOP VIEW

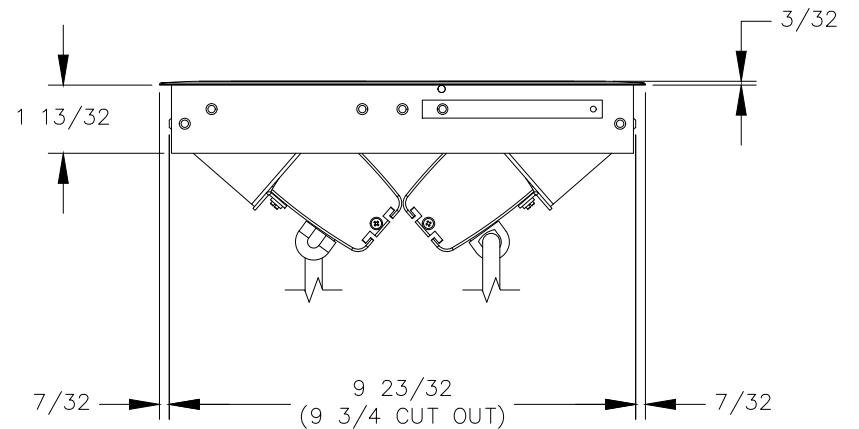


NOTE:

1. 6 ft. cord length.
2. USB ports are for charging use only.
3. Table thickness is 3/4 MIN. to 1 3/4 MAX.
4. Circuit breaker plug dimension is 1 15/32 X 2 1/16.



FRONT VIEW



SIDE VIEW