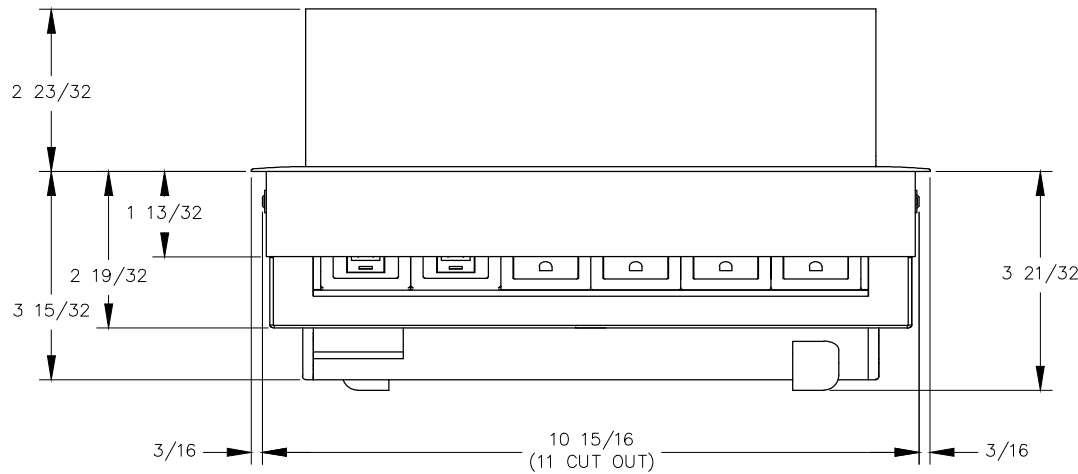
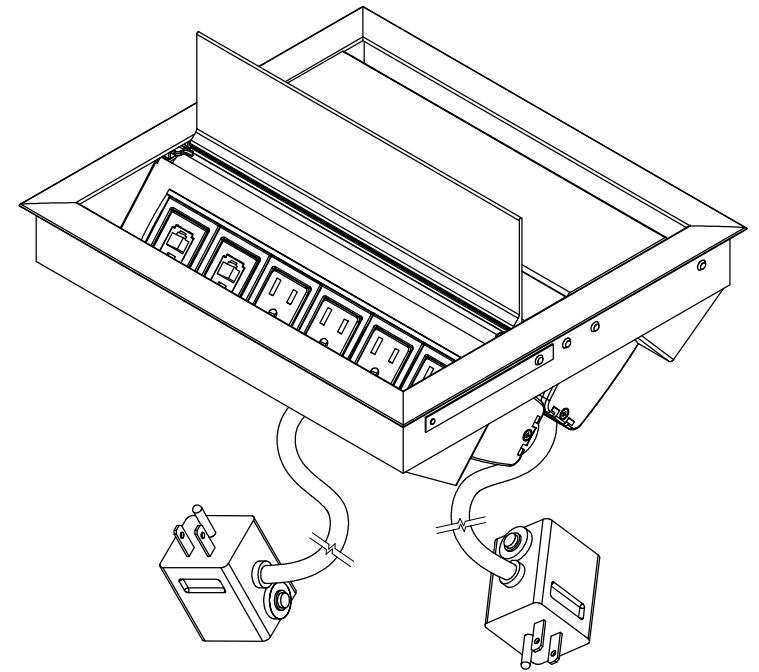


TOP VIEW

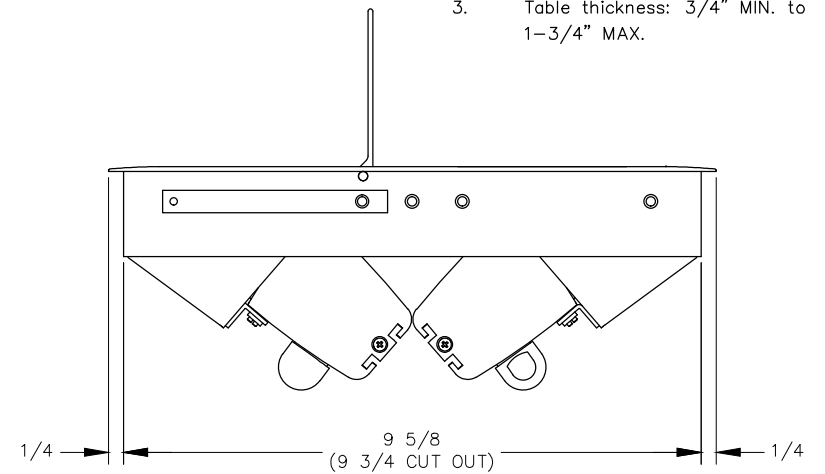


FRONT VIEW



NOTES:

1. 6 ft. power cord.
2. 1-15/32" X 1-21/32" X 2-1/16" Circuit breaker plug.
3. Table thickness: 3/4" MIN. to 1-3/4" MAX.



RIGHT VIEW