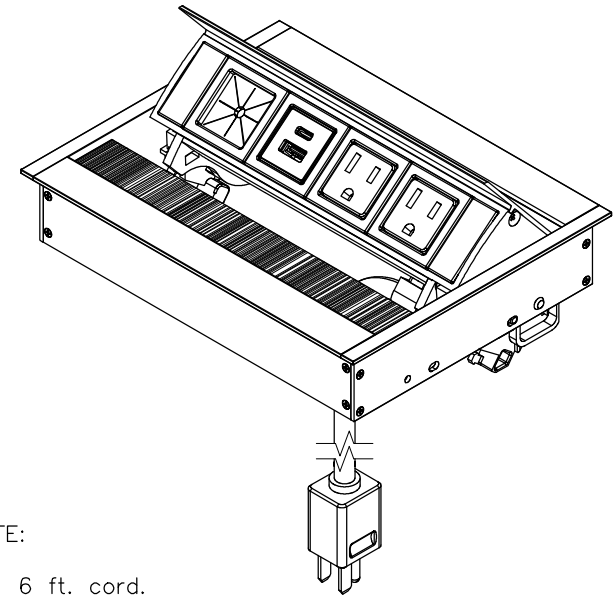
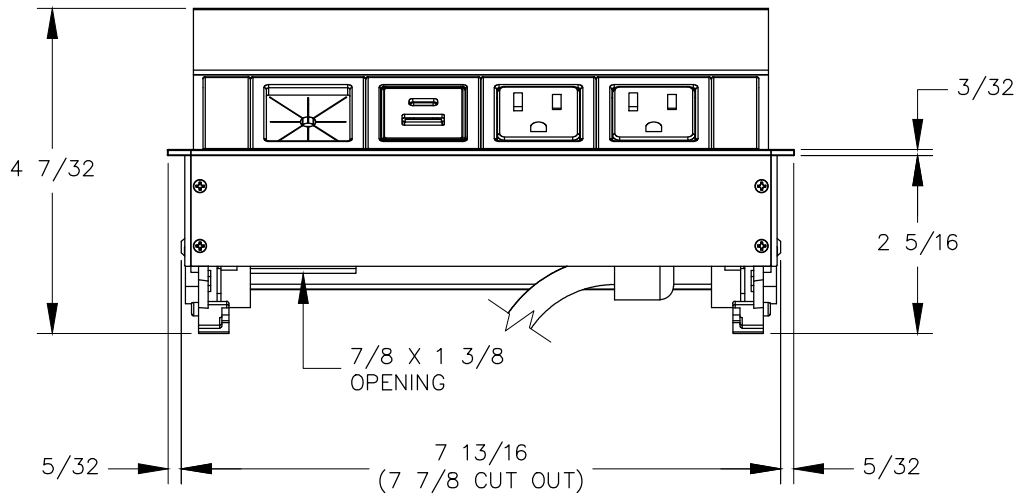


TOP VIEW

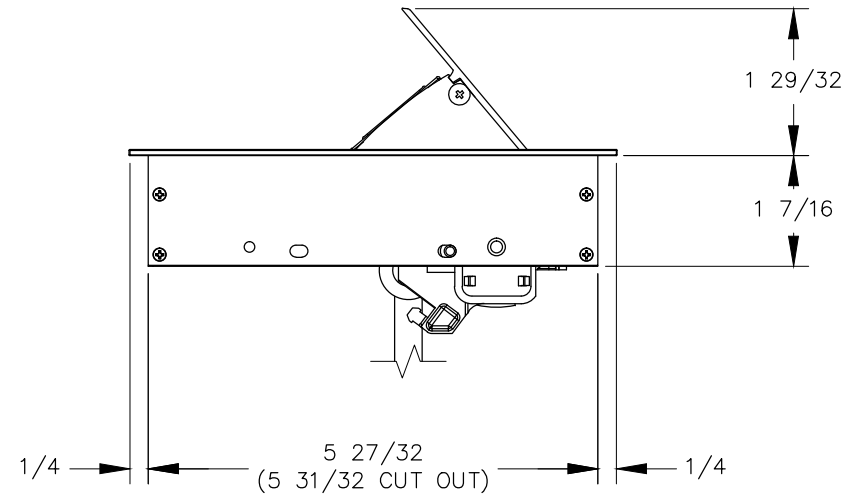


NOTE:

1. 6 ft. cord.
2. Plug dimension is $1 \frac{11}{32} \times 1 \frac{1}{32} \times \frac{7}{8}$.
3. USB-A and USB-C ports are for charging use only.
4. Table thickness is $\frac{3}{4}$ MIN. to $1 \frac{11}{16}$ MAX.
5. Flex-Port shudder bushing has $\frac{7}{8}$ diameter clearance.



FRONT VIEW



RIGHT VIEW