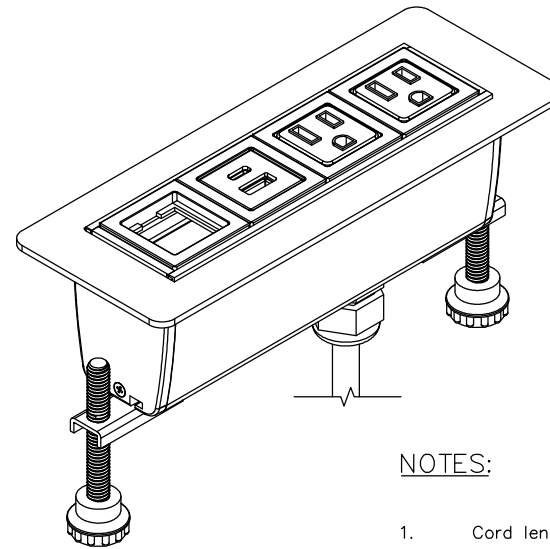
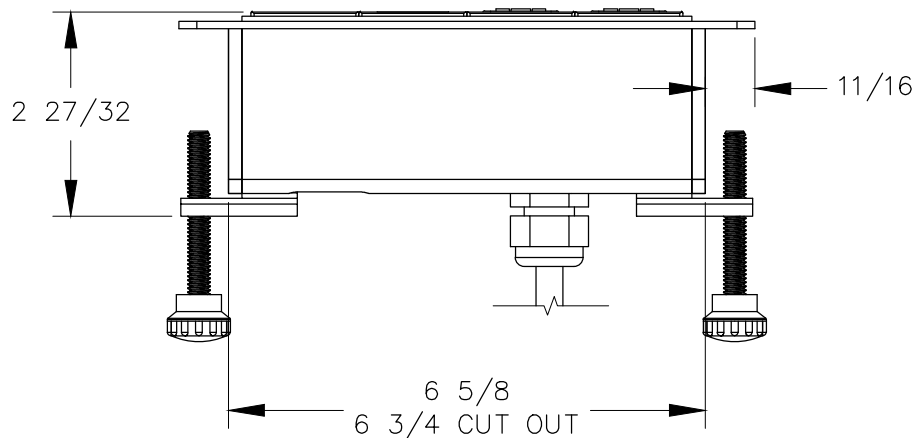


TOP VIEW

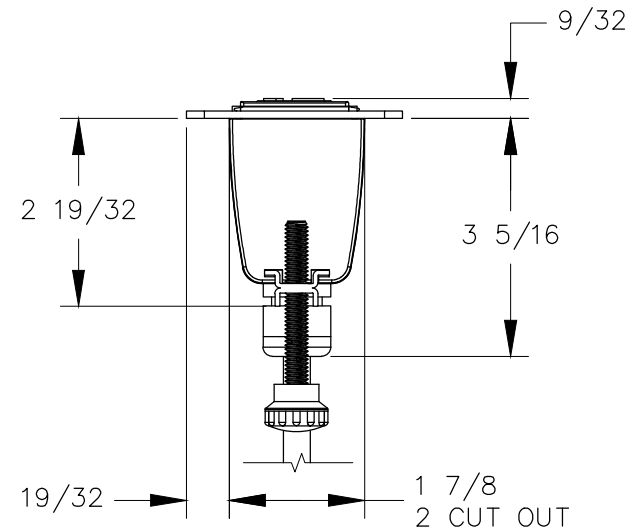


NOTES:

1. Cord length 6 ft.
2. Table thickness is 3/4 MIN. to 1 3/4 MAX.
3. USB-A & USB-C ports are for charging use ONLY.



FRONT VIEW



RIGHT VIEW