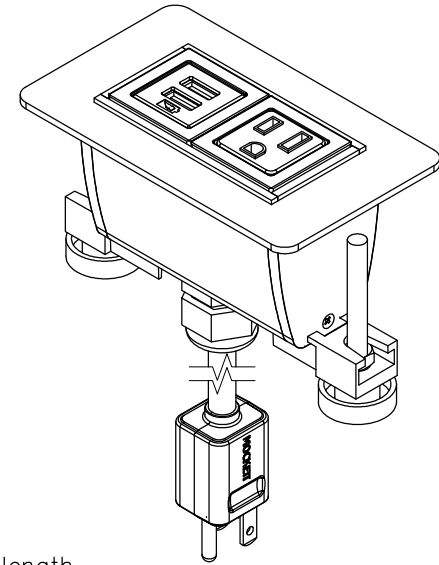
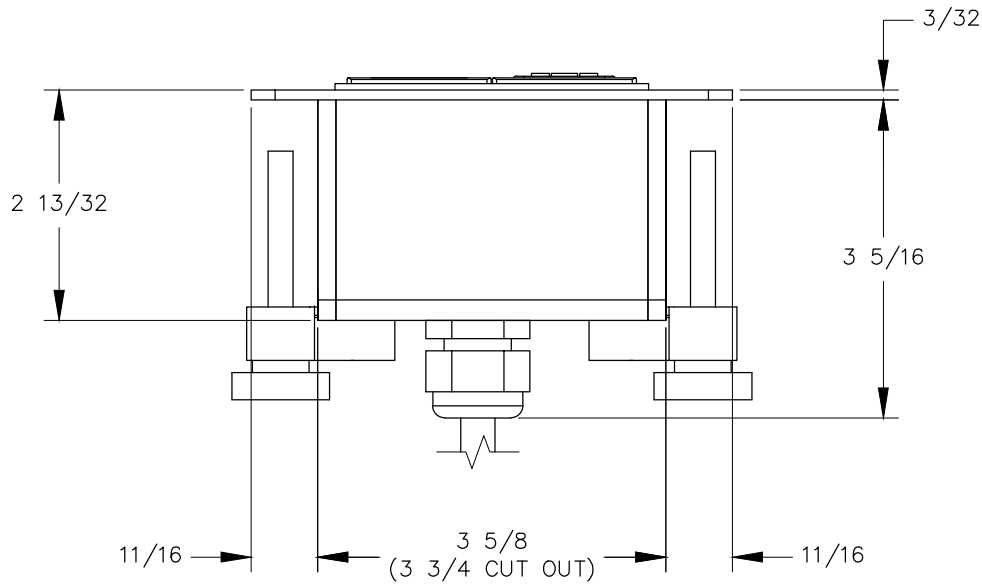


TOP VIEW

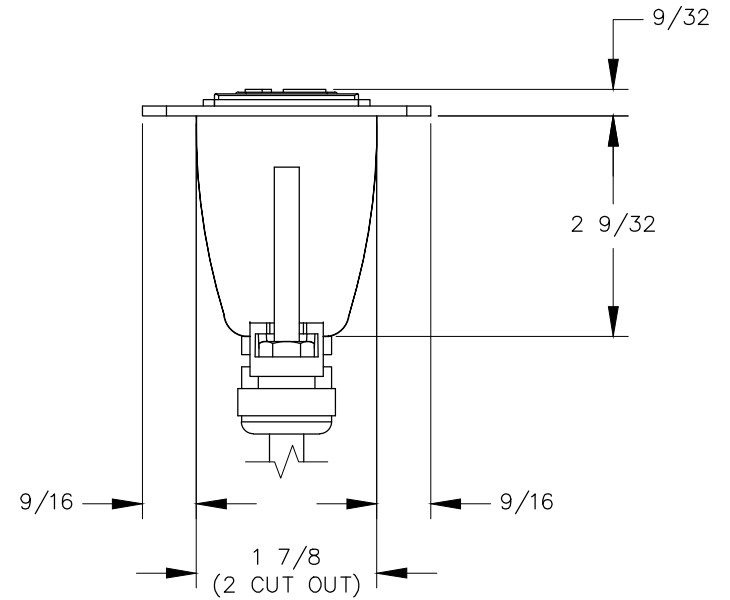


NOTE:

1. 6 ft. cord length.
2. Table thickness is 3/4 MIN. to 1 3/4 MAX.
3. USB-A ports are for charging use only.
4. Plug dimension is 1 11/32 X 1 1/32 X 7/8.



FRONT VIEW



RIGHT VIEW