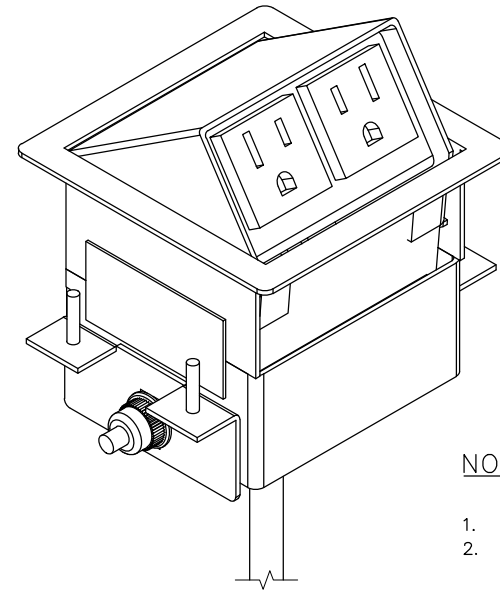
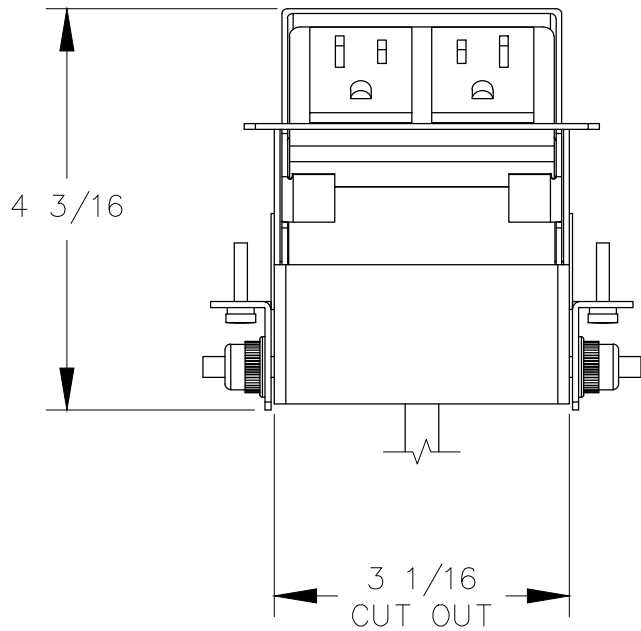


TOP VIEW

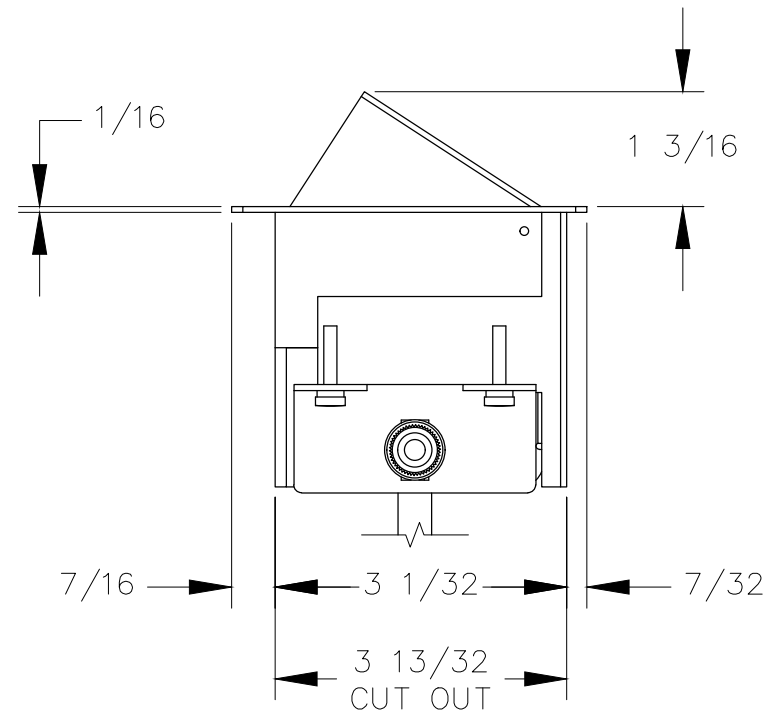


NOTES:

1. Cord length 6 ft.
2. Recommended table thickness 3/4" MIN. to 1-7/8" MAX.



FRONT VIEW



RIGHT VIEW