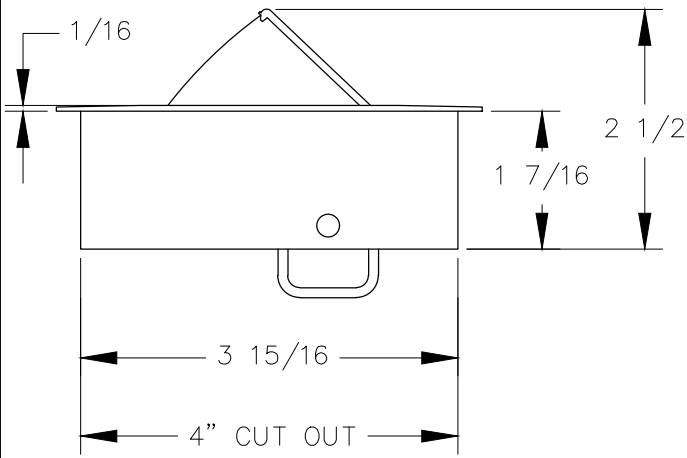
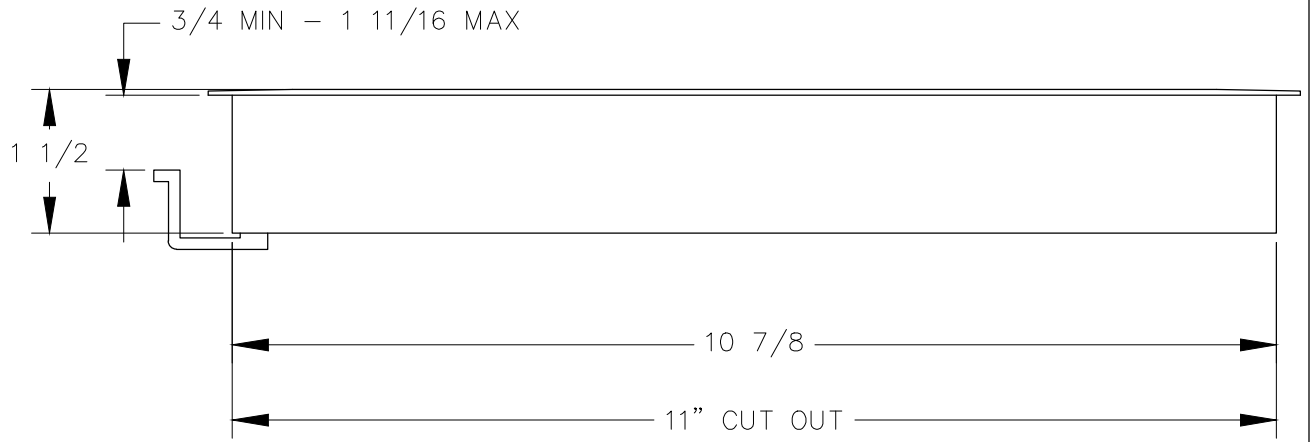


TOP VIEW



SIDE VIEW



FRONT VIEW



P.O. BOX 3333
 MANHATTAN BEACH, CA 90266 USA
 PHONE: 310.318.2491 FAX: 310.376.7650
 email: info@mockett.com www.mockett.com

PROPRIETARY AND CONFIDENTIAL.
 ALL DIMENSIONS HAVE A +/- 1/32" TOLERANCE UNLESS OTHERWISE SPECIFIED. WE DO NOT RECOMMEND DRILLING OR CUTTING ANY HOLES BEFORE RECEIVING A PRODUCT OR A PRODUCT SAMPLE.
 ALL MEASUREMENTS ARE IN INCHES.

PART NAME:
PCS36C
 SCALE:
 AS NOTED

TOLERANCE:
 -/+ 1/32"
 UNLESS SPECIFIED

DRAWN BY:
 -
 DATE:
 -

LAST EDITED:
 AN
 DATE:
 2014.04.25 8:00am

REQUESTED BY:
 -
 APPROVED BY:
 -
 SHEET:
 1 OF 1