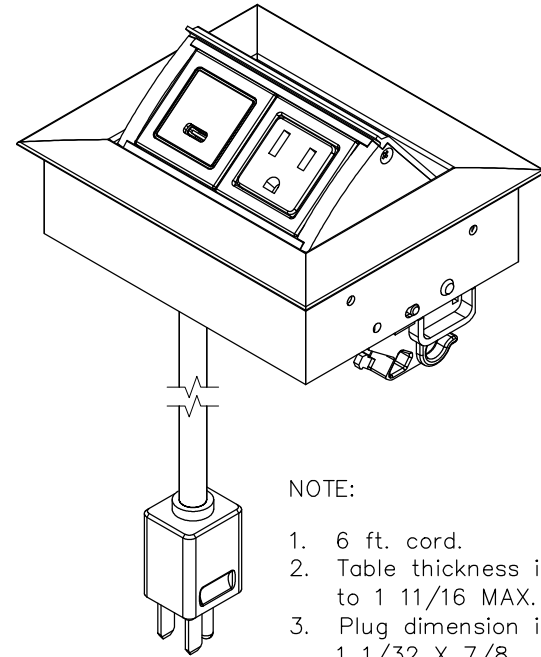
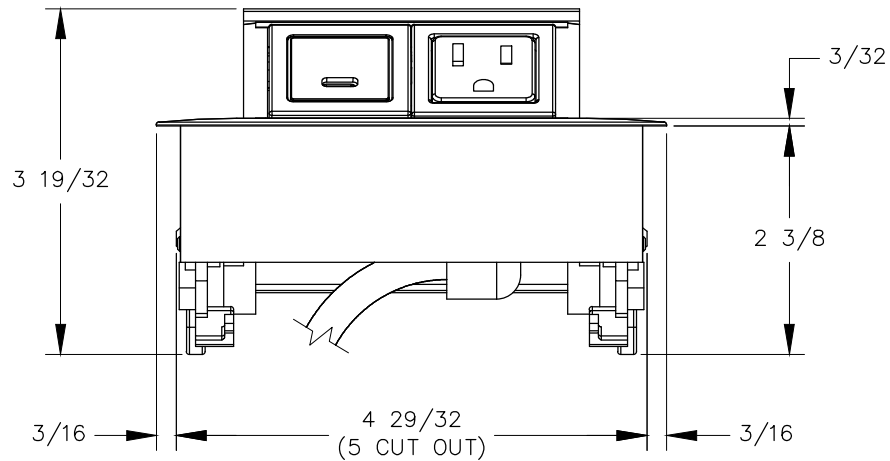


TOP VIEW

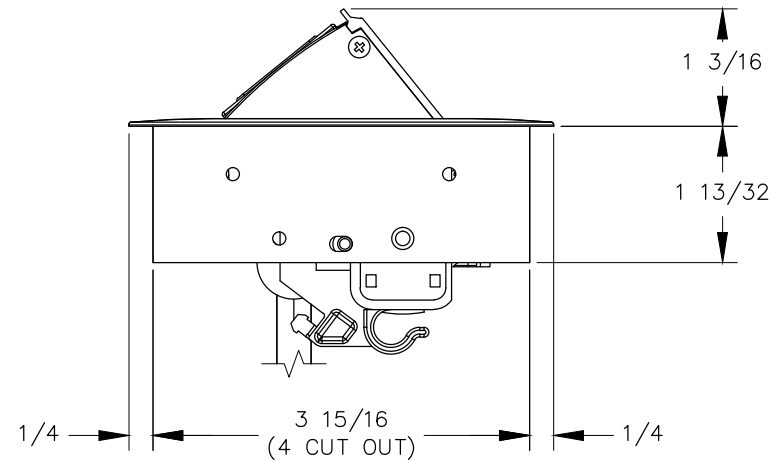


NOTE:

1. 6 ft. cord.
2. Table thickness is 3/4 MIN. to 1 11/16 MAX.
3. Plug dimension is 1 11/32 X 1 1/32 X 7/8.
4. USB-C port is for charging use only.



FRONT VIEW



RIGHT VIEW