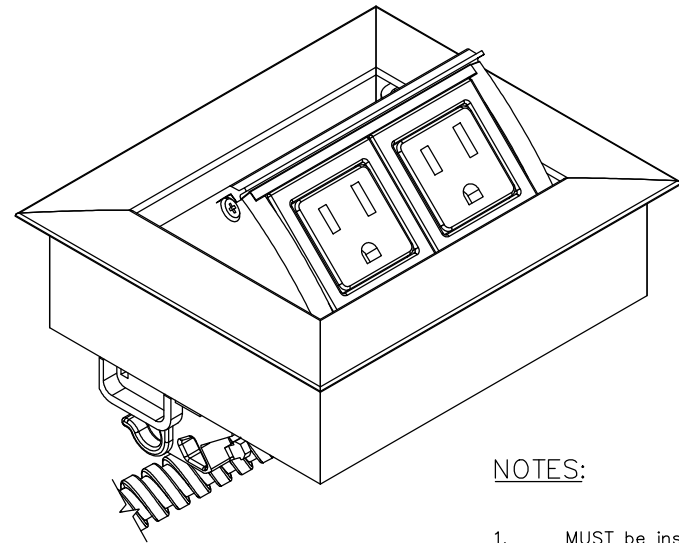
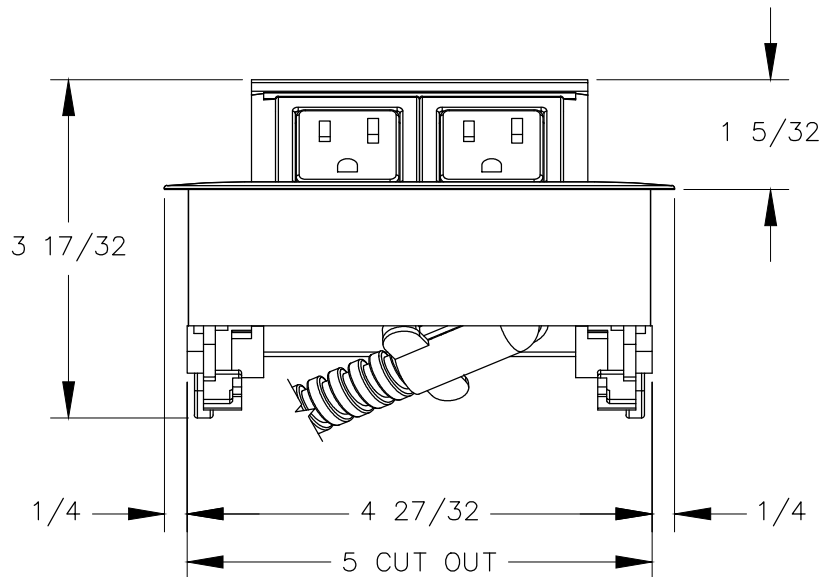


TOP VIEW

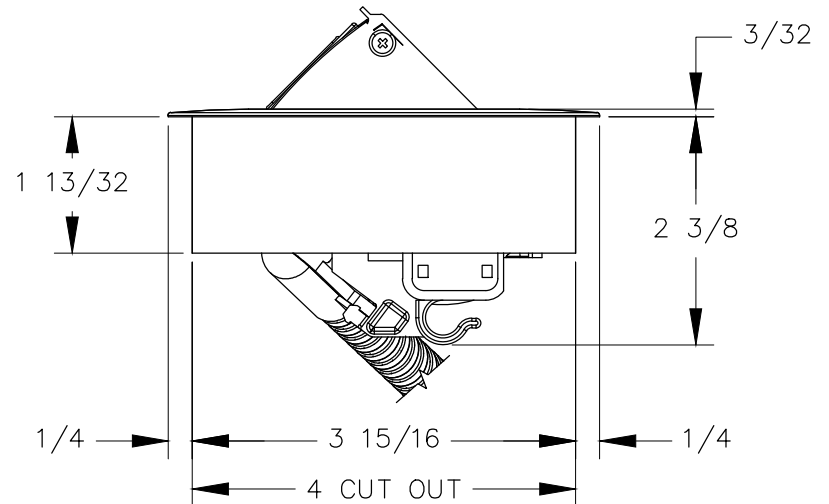


NOTES:

1. MUST be installed by a professional electrician.
2. Must be installed to local electrical code.
3. 6 ft. Conduit cord
4. Table thickness 3/4" MIN. to 1-11/16" MAX.



FRONT VIEW



RIGHT VIEW