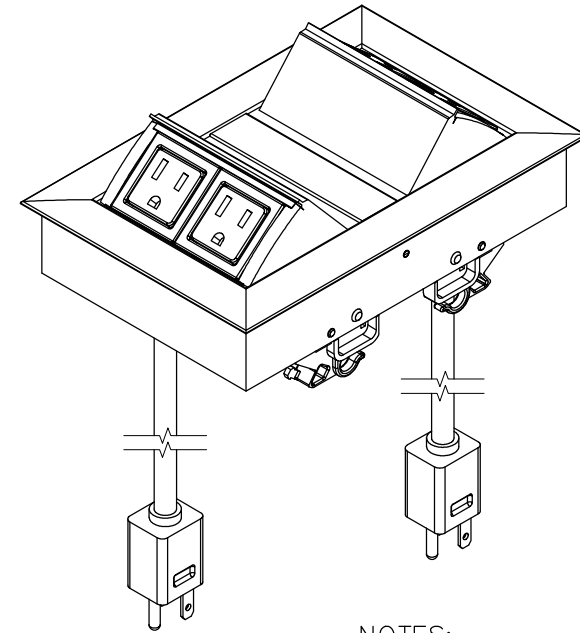
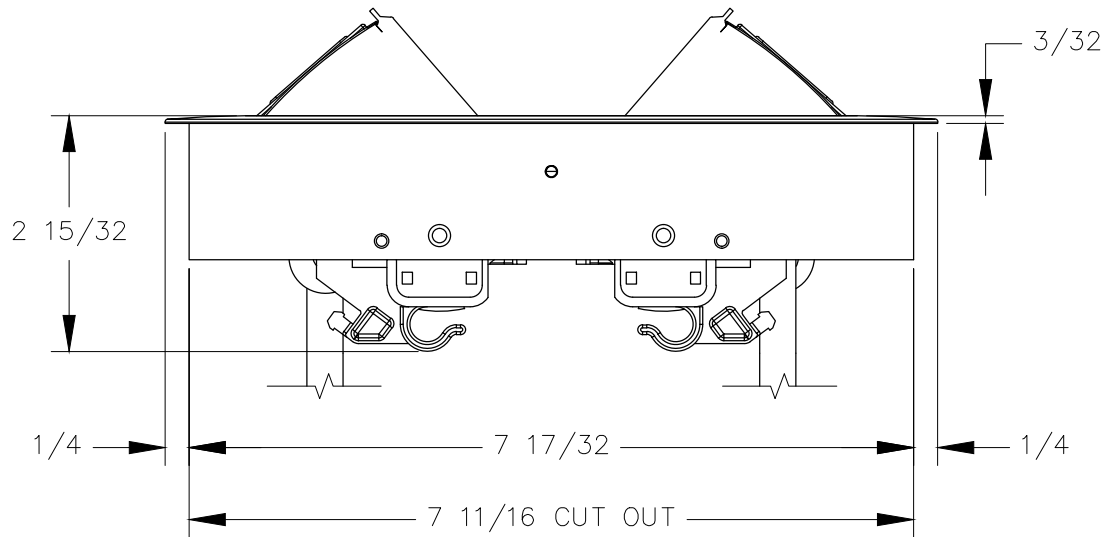


TOP VIEW

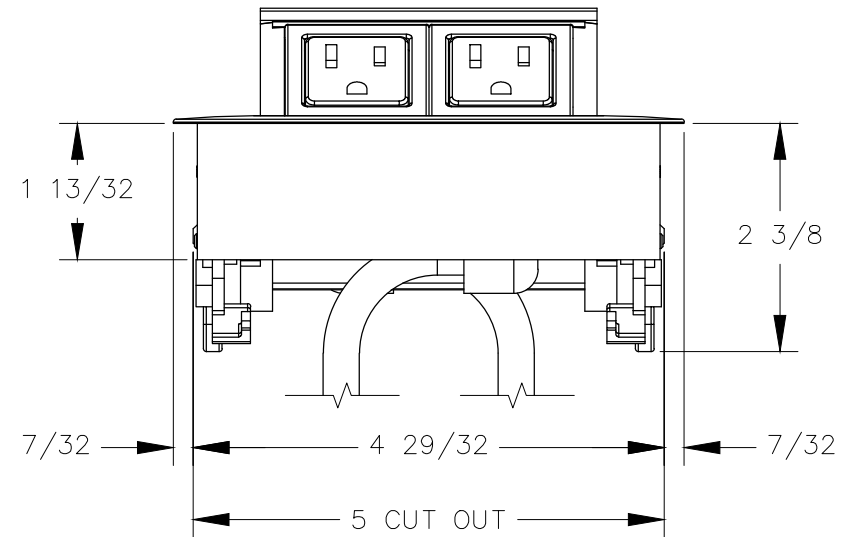


NOTES:

1. 2 X 6 ft. CORD.
2. Table thickness is 3/4" MIN. to 1-11/16" MAX.



FRONT VIEW



RIGHT VIEW