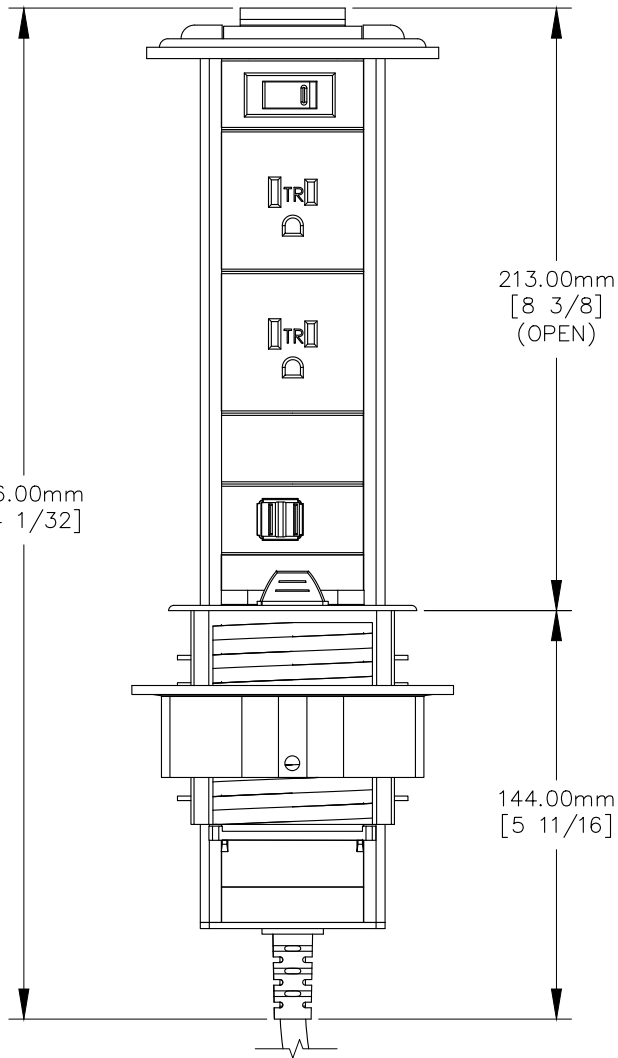


356.00mm
[14 1/32]

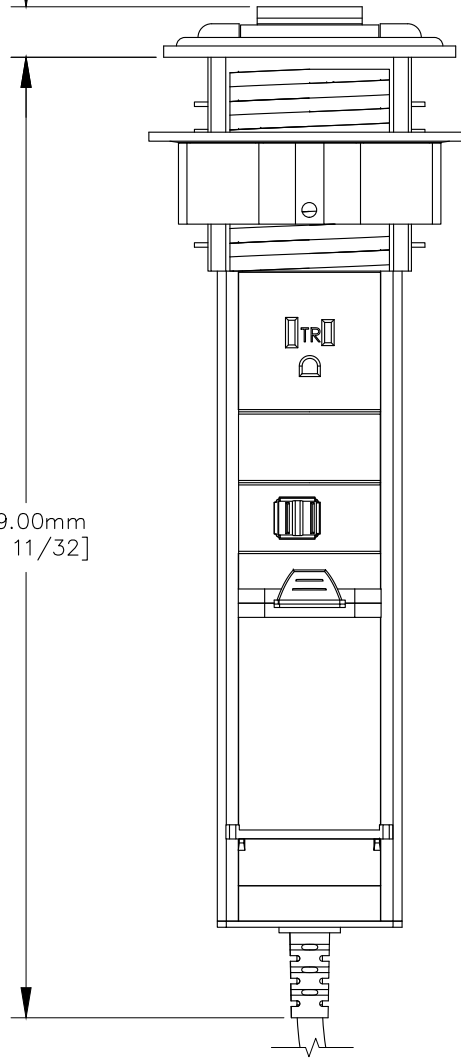


FRONT VIEW
(OPEN)

213.00mm
[8 3/8]
(OPEN)

144.00mm
[5 11/16]

18.00mm
[11/16]
(CLOSED)



FRONT VIEW
(CLOSED)

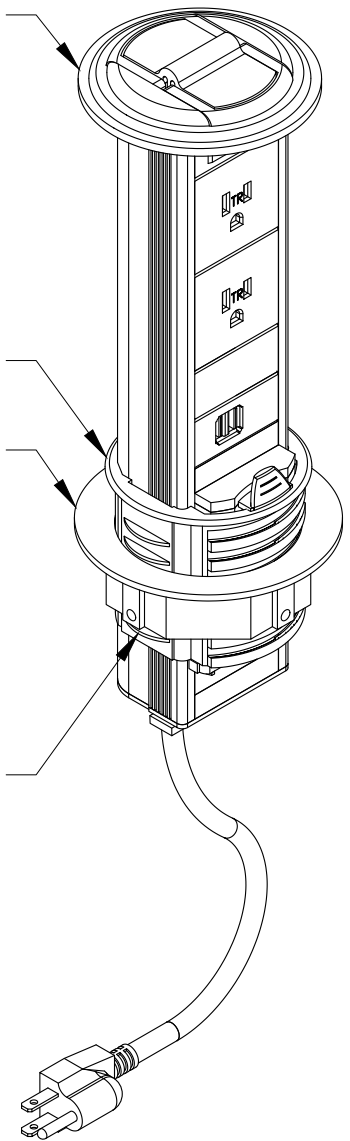
339.00mm
[13 11/32]

∅103.00mm
[∅4 1/16]

∅88.00mm
[∅3 11/32]

∅113.50mm
[∅4 15/32]

∅80.00mm
[∅3 5/32]
CUTOUT



NOTE:

1. 9 ft. cord length.
2. USB ports are for charging use only.
3. Table thickness is 1/2" MIN. to 2" MAX.
4. Minimum clearance required under the work surface is 14".