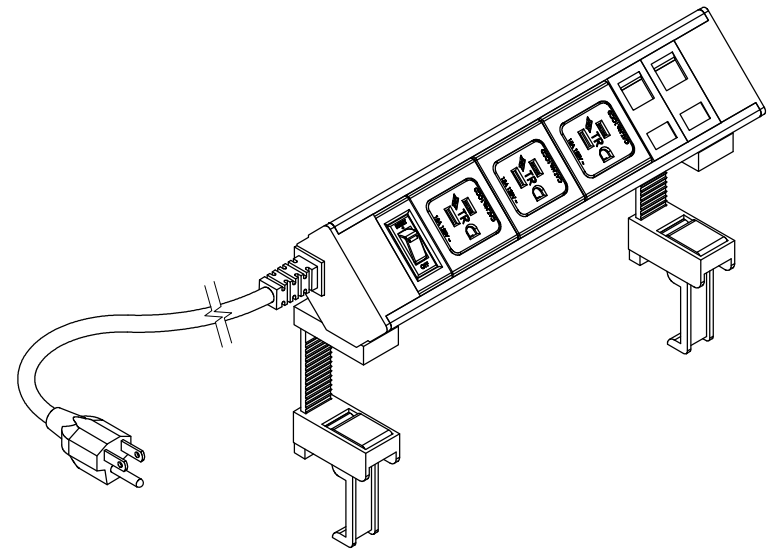
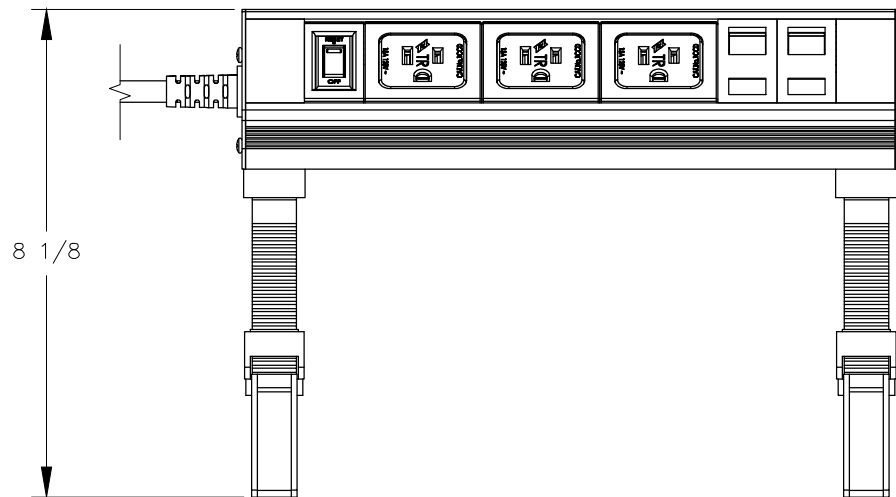


TOP VIEW

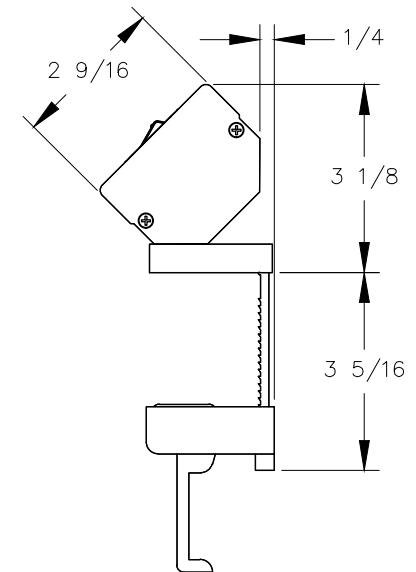


NOTES:

1. 9 ft. cord.
2. Maximum table thickness is 2".



FRONT VIEW



RIGHT VIEW