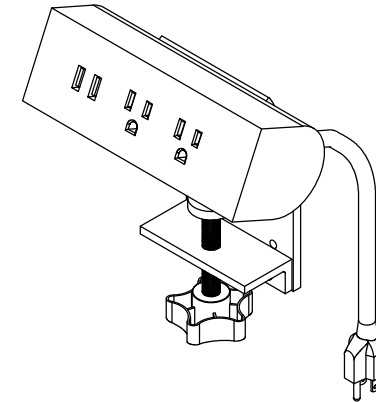
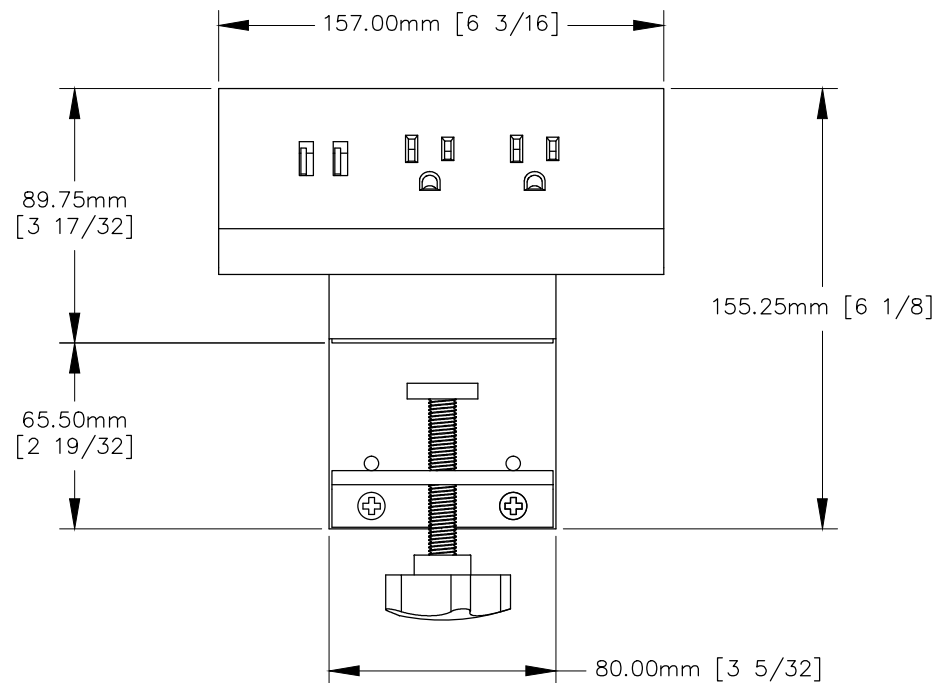


TOP VIEW

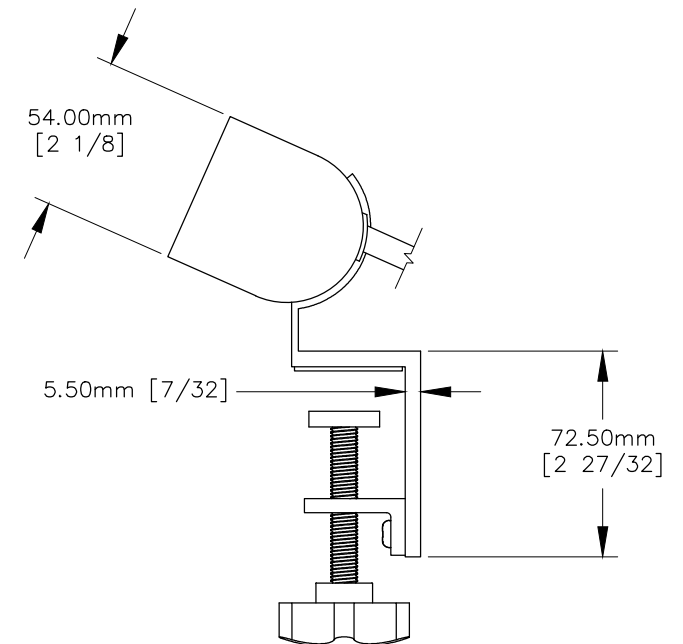


NOTE:

1. 5 ft. cord.
2. Table thickness is 10.00mm [13/32] MIN. to 23.00mm [29/32] MAX. with a top bracket orientation.
3. Table thickness is 13.00mm [1/2] MIN. to 59.00mm [2 5/16] MAX. with a bottom bracket orientation.
4. USB-A ports are for charging use ONLY.



FRONT VIEW



SIDE VIEW