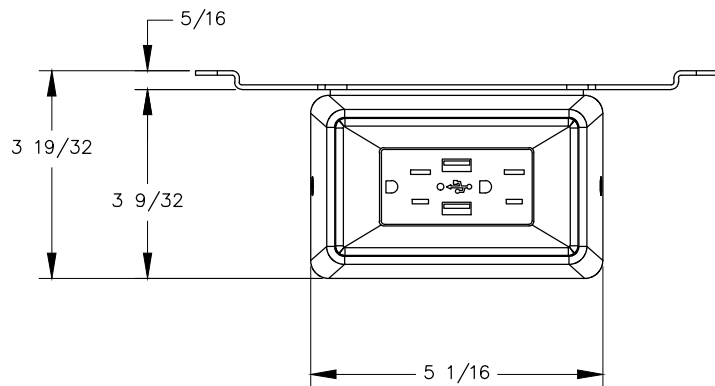
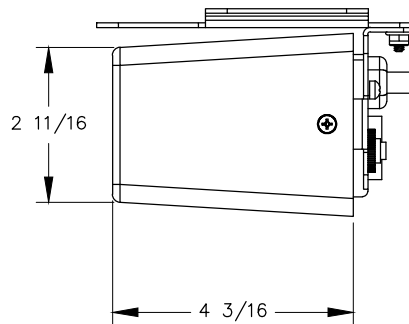


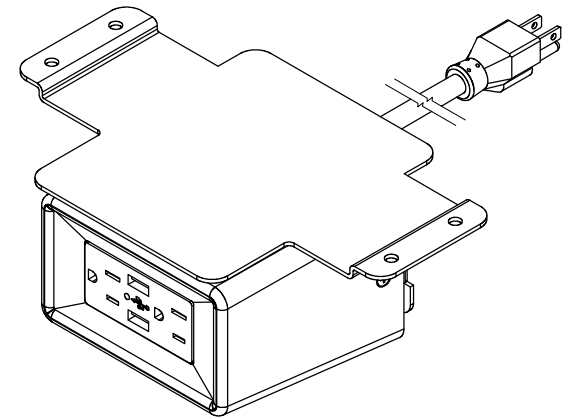
TOP VIEW



FRONT VIEW

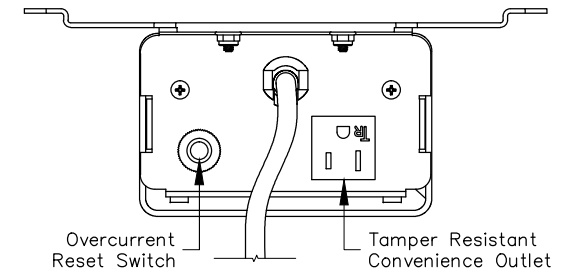


SIDE VIEW



NOTE:

1. 8 ft. cord.
2. Table thickness is 3/4 MIN.
3. 15A tamper resistant outlet with overcurrent reset switch (push the overcurrent reset switch, when the load exceeds the rated current).
4. USB ports are for charging use ONLY.



REAR VIEW