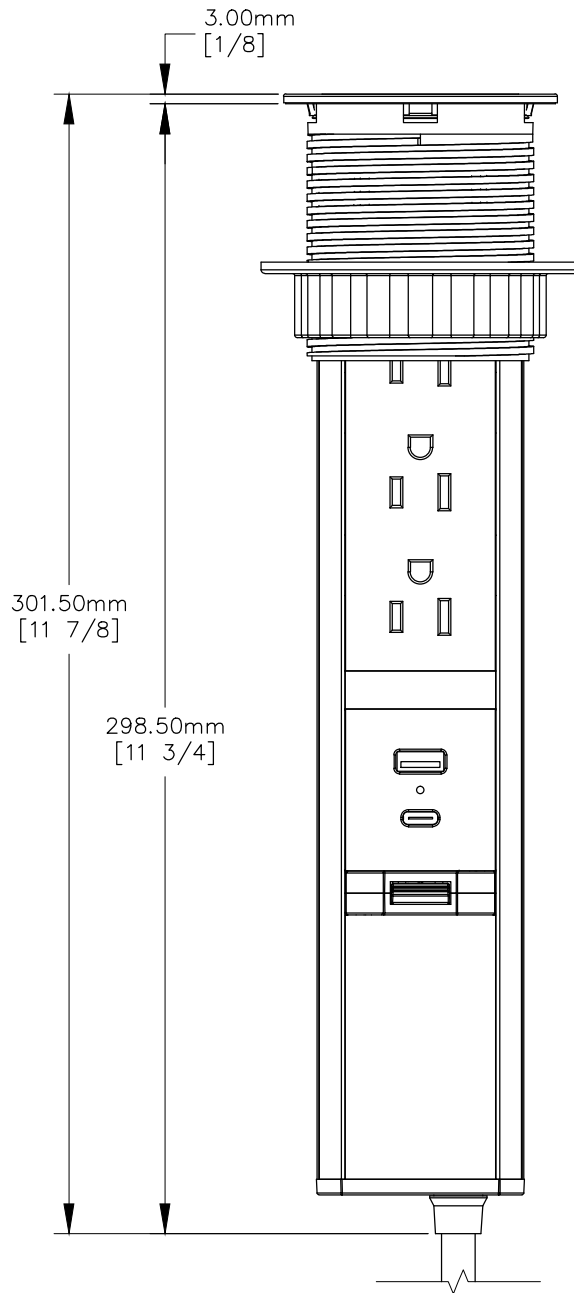
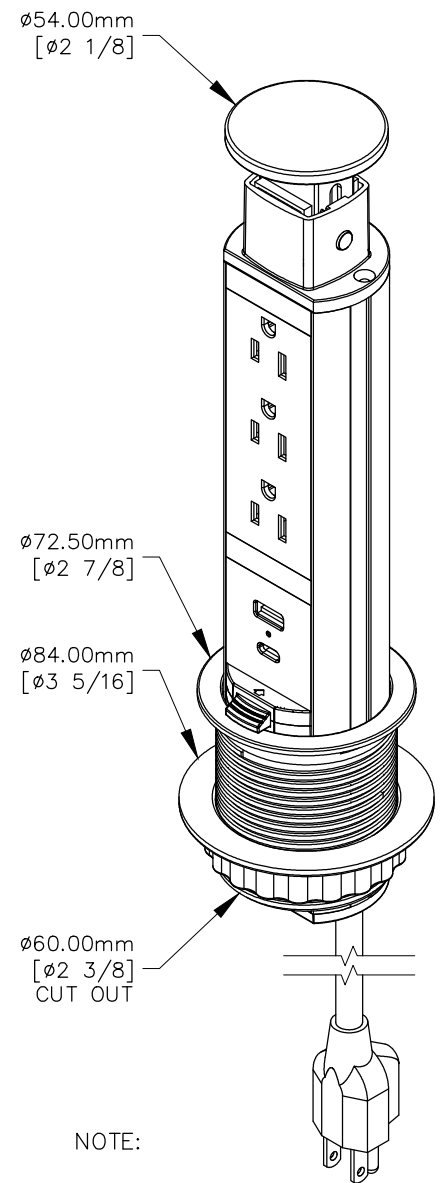


FRONT VIEW
(OPEN)



FRONT VIEW
(CLOSED)



NOTE:

1. 5 ft. cord.
2. Table thickness is 13.00mm MIN. [1/2"] to 51.00mm MAX. [2"].
3. USB-A & USB-C ports are for charging use ONLY.
4. Minimum clearance required 13" under the work surface.