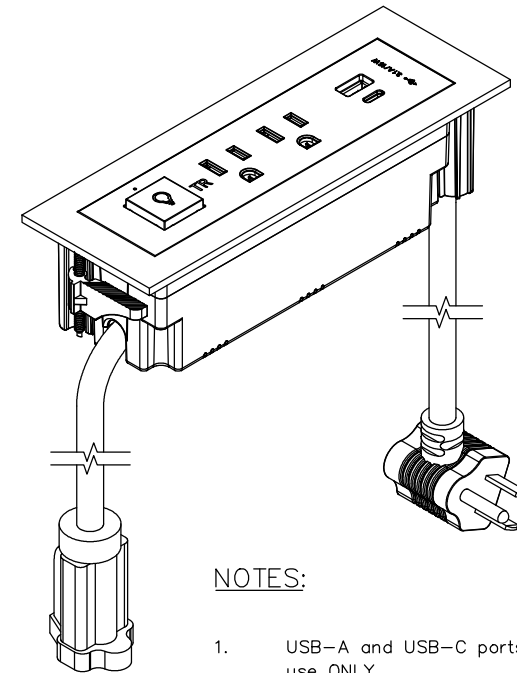
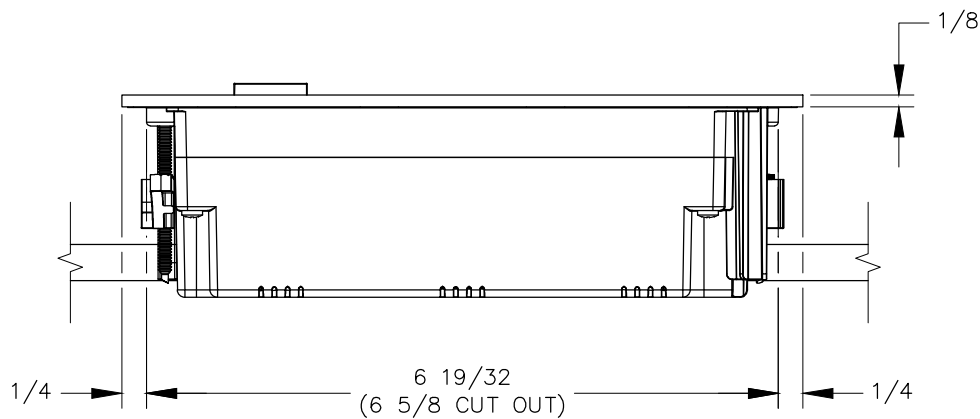


TOP VIEW

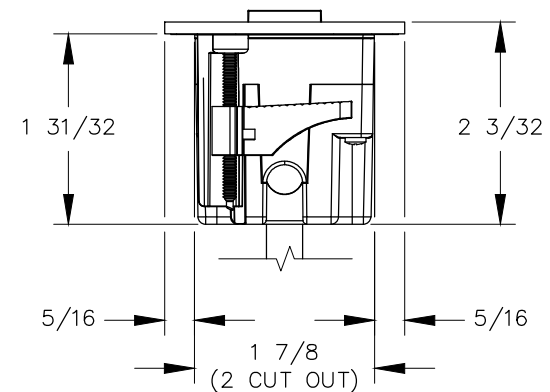


NOTES:

1. USB-A and USB-C ports are for charging use ONLY.
2. 6 ft. power cord.
3. Table thickness is $\frac{3}{8}$ " MIN. to $1\text{--}1/4$ " MAX.
4. $1\text{--}1/8$ " minimum clearance required on all four sides.
5. 6 in. convenience lamp cord.



FRONT VIEW



RIGHT VIEW