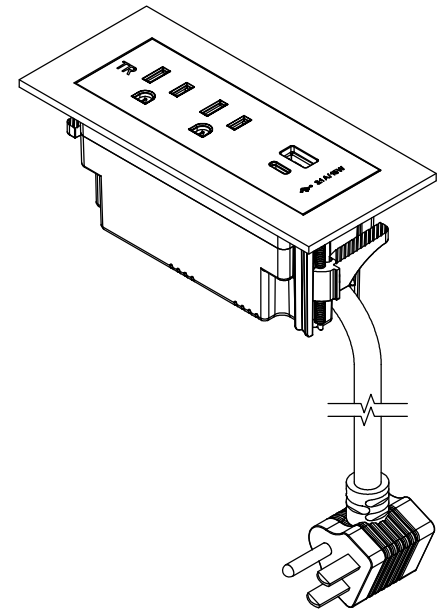
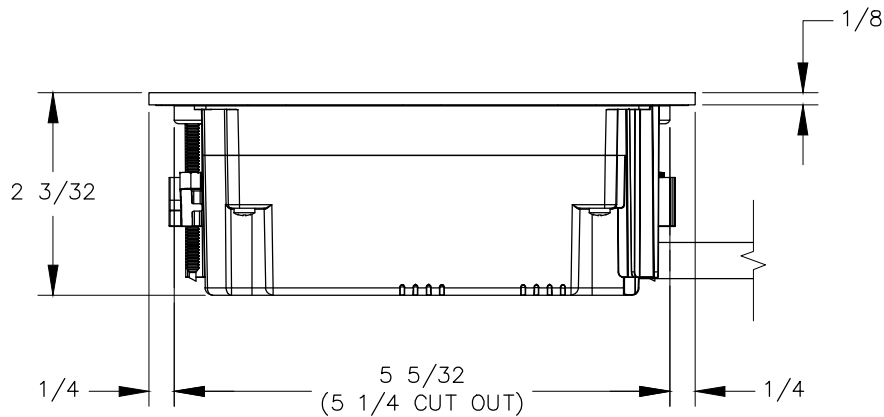


TOP VIEW

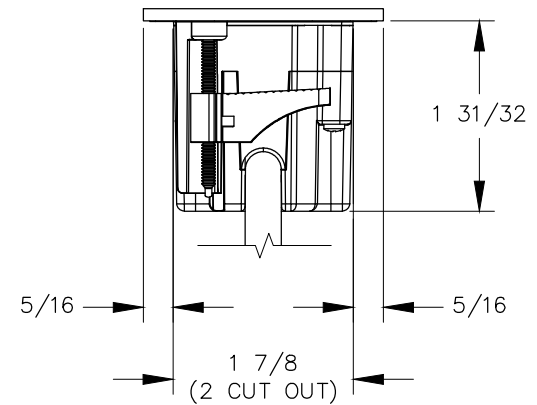


NOTE:

1. 6 ft. cord length.
2. Table thickness is $\frac{3}{8}$ MIN. to $1 \frac{1}{4}$ MAX.
3. Minimum clearance required on all four sides is $1 \frac{1}{8}$ MIN.
4. USB-A and USB-C ports are for charging use only.



FRONT VIEW



RIGHT VIEW