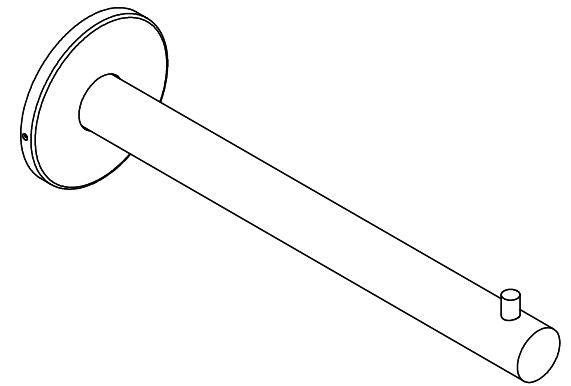
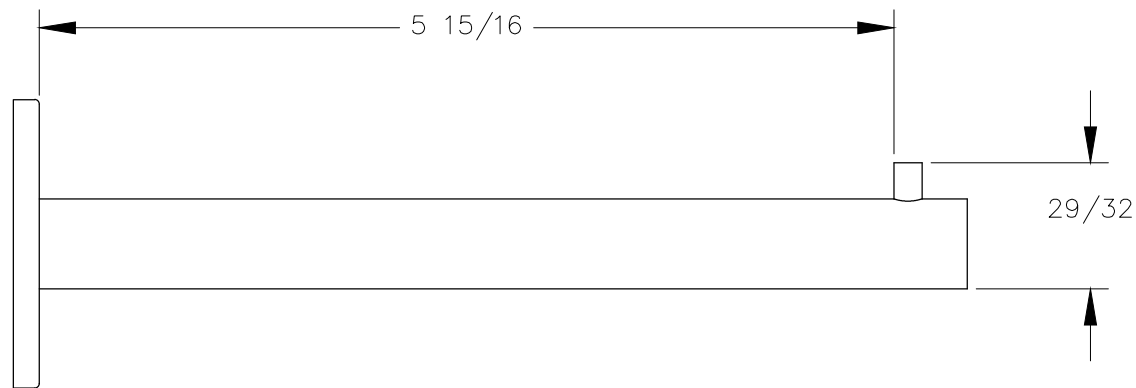


TOP VIEW

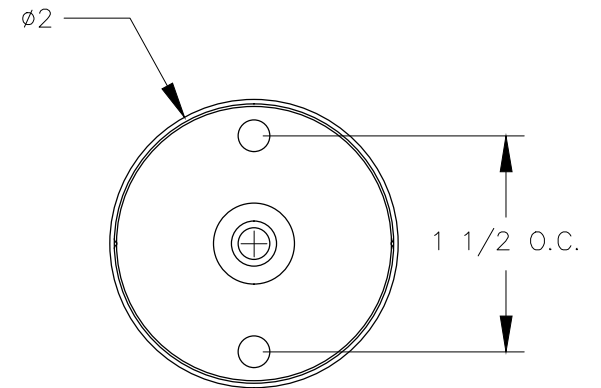


NOTES:

1. Weight Capacity is 30 lbs per bracket.
2. Install into studs.



FRONT VIEW



LEFT VIEW