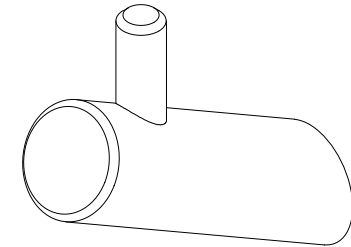
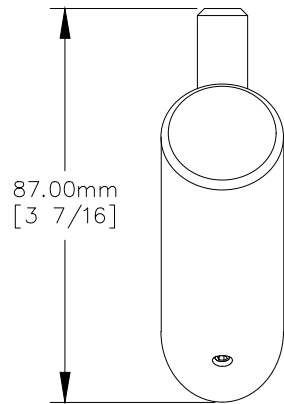


TOP VIEW

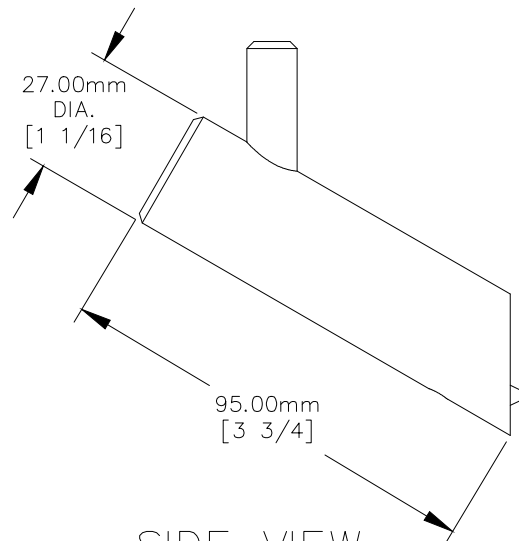


NOTE:

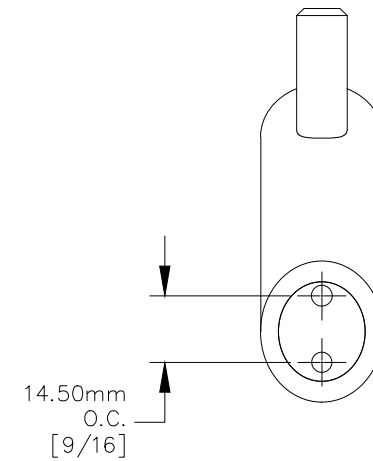
1. Weight capacity is 25 lbs.
2. Stud and blocking installation only.



FRONT VIEW



SIDE VIEW



REAR VIEW