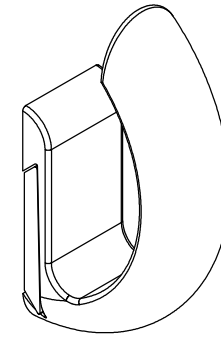
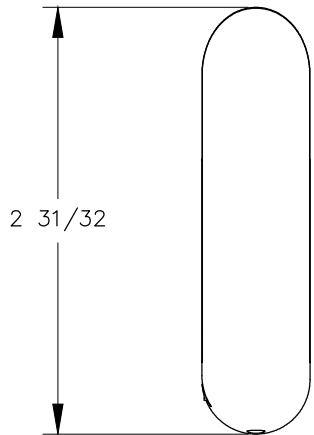


TOP VIEW

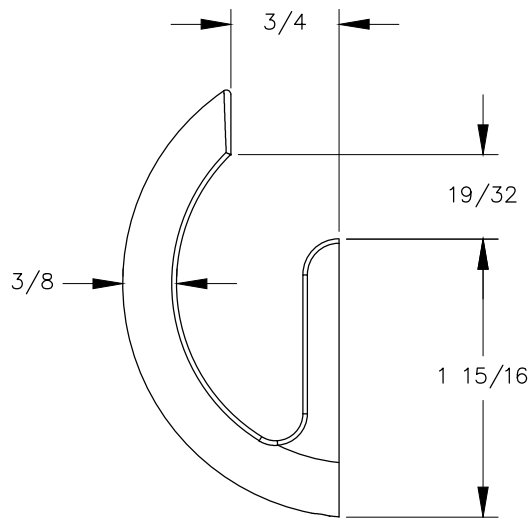


NOTE:

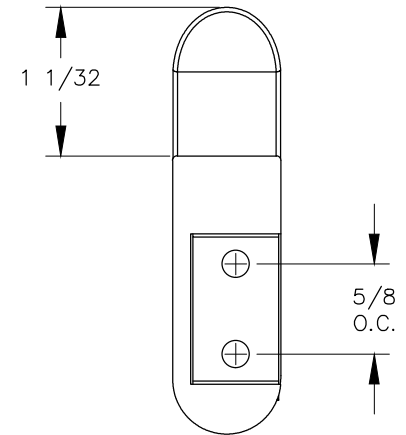
1. Weight Capacity is 50 lbs.
2. Maximum hook opening is 3/4" DIA.



FRONT VIEW



RIGHT VIEW



REAR VIEW