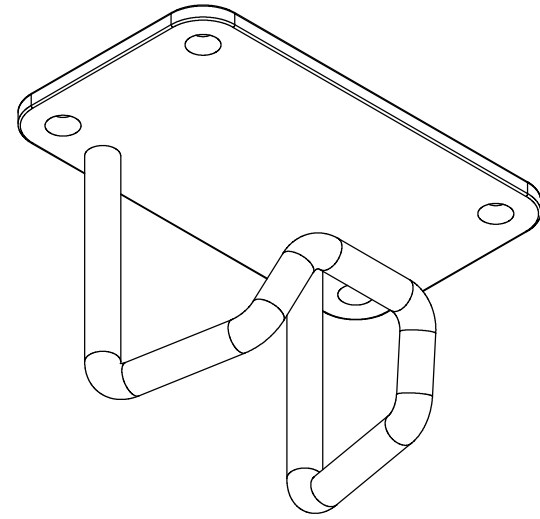


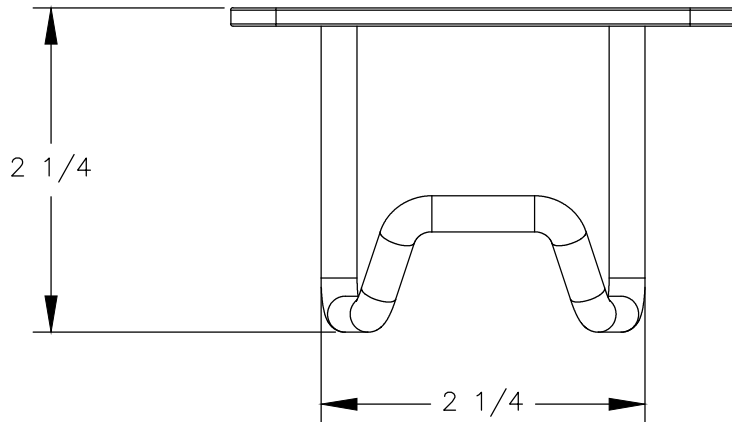
4X  $\phi 1/4$   
COUNTERSUNK  
TO  $\phi 5/32$

BOTTOM VIEW

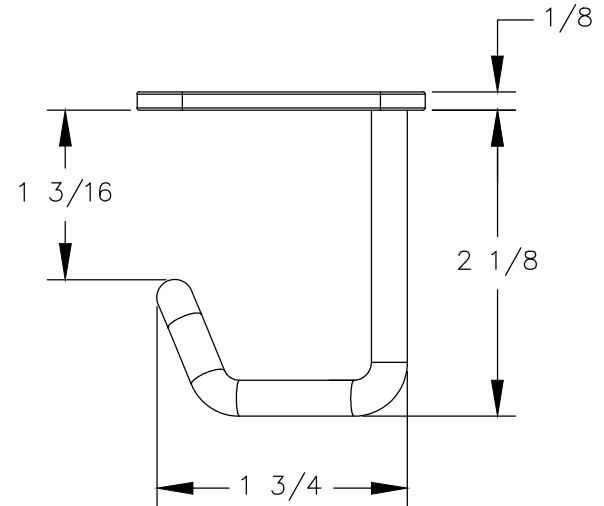


NOTES:

1. Weight capacity is 20 lbs.



FRONT VIEW



RIGHT VIEW