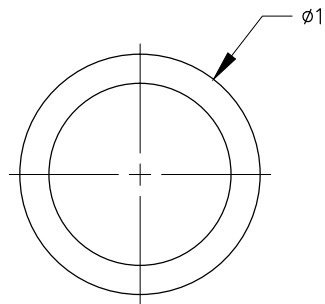
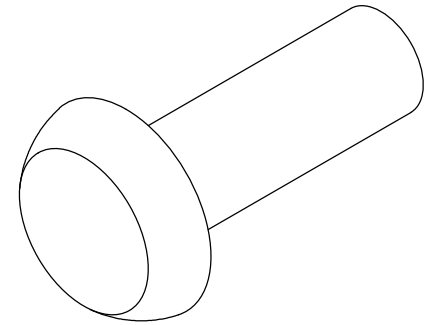


TOP VIEW



FRONT VIEW



NOTE:

1. Weight capacity is 20 lbs.