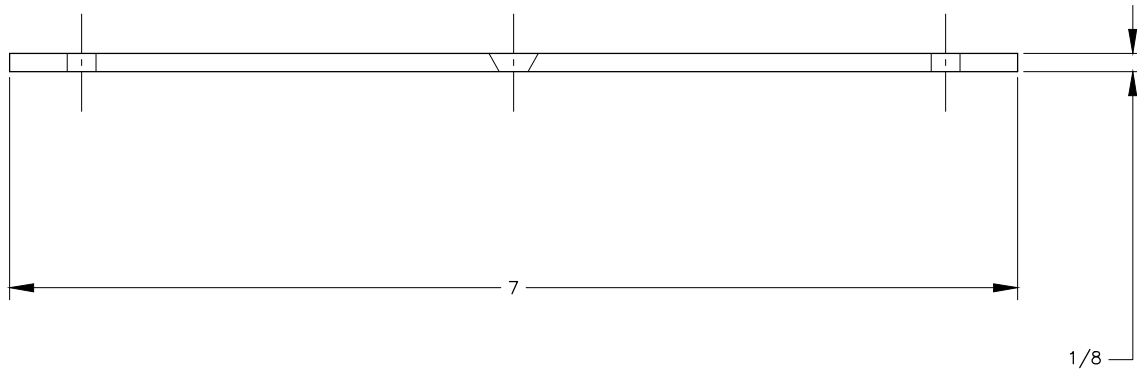
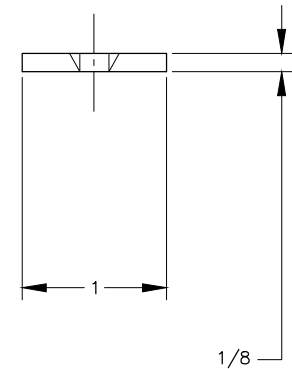


TOP VIEW

WEIGHT CAPACITY 20 lb MAX
WHEN MOUNTED INTO STUD OR DRYWALL



FRONT VIEW



SIDE VIEW