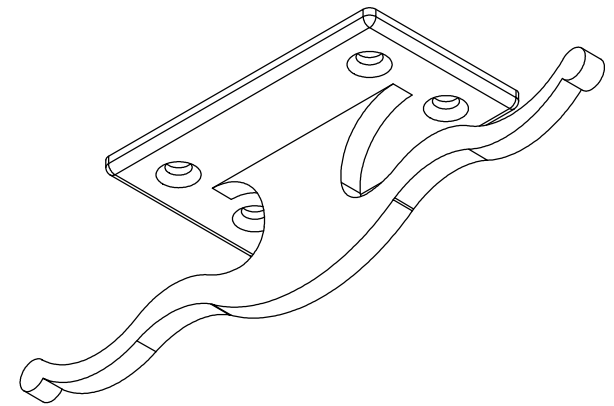
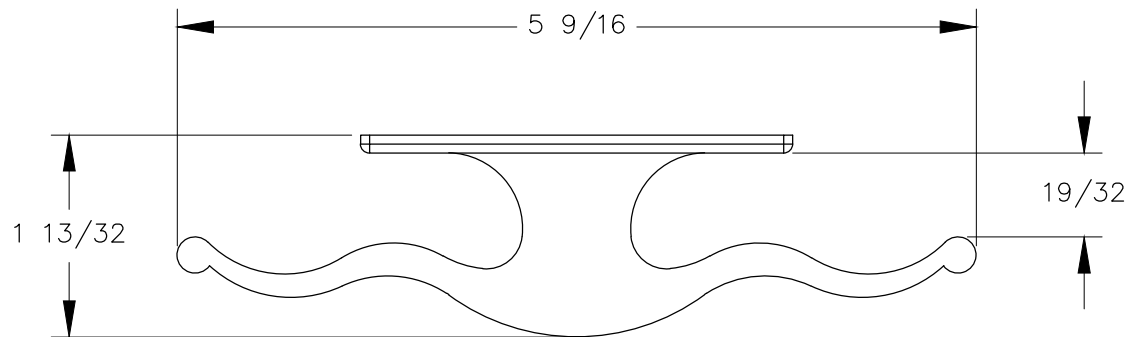


BOTTOM VIEW

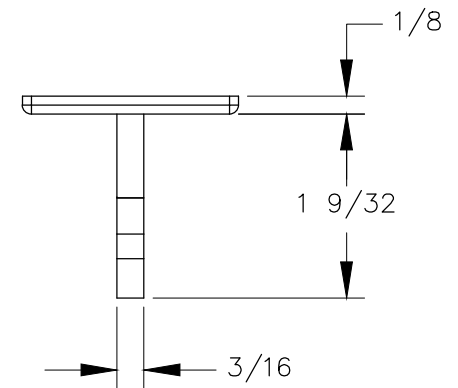


NOTES:

1. Weight Capacity: 40 lbs.



FRONT VIEW



RIGHT VIEW