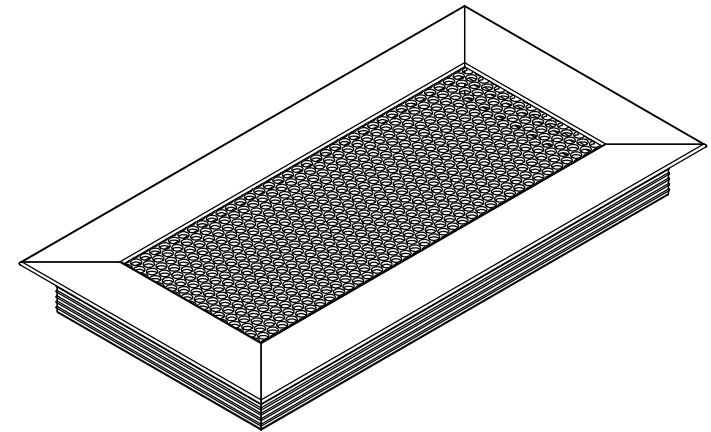
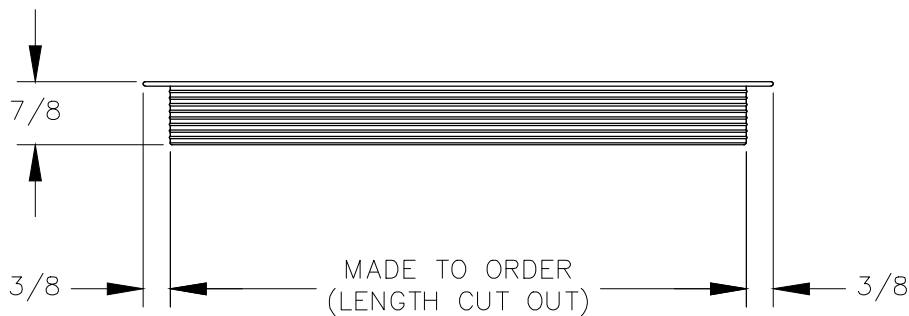


TOP VIEW

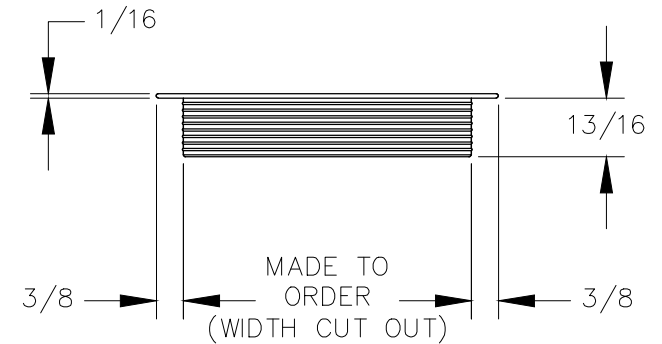


NOTES:

1. Made to order by specifying cut out measurement.
2. Minimum cut out size for custom order is 4" X 4".
3. MESH1 is shown in this technical.
4. MESH1, MESH2, MESH3, & MESH4 are available options.



FRONT VIEW



RIGHT VIEW