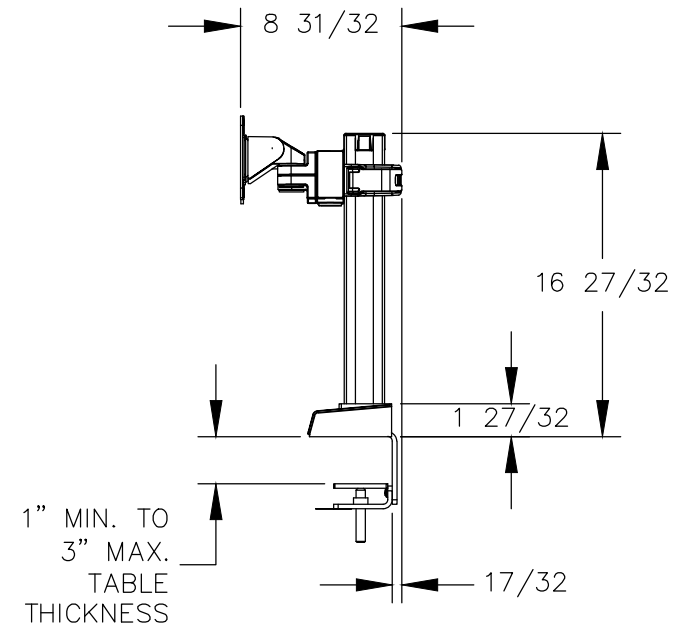
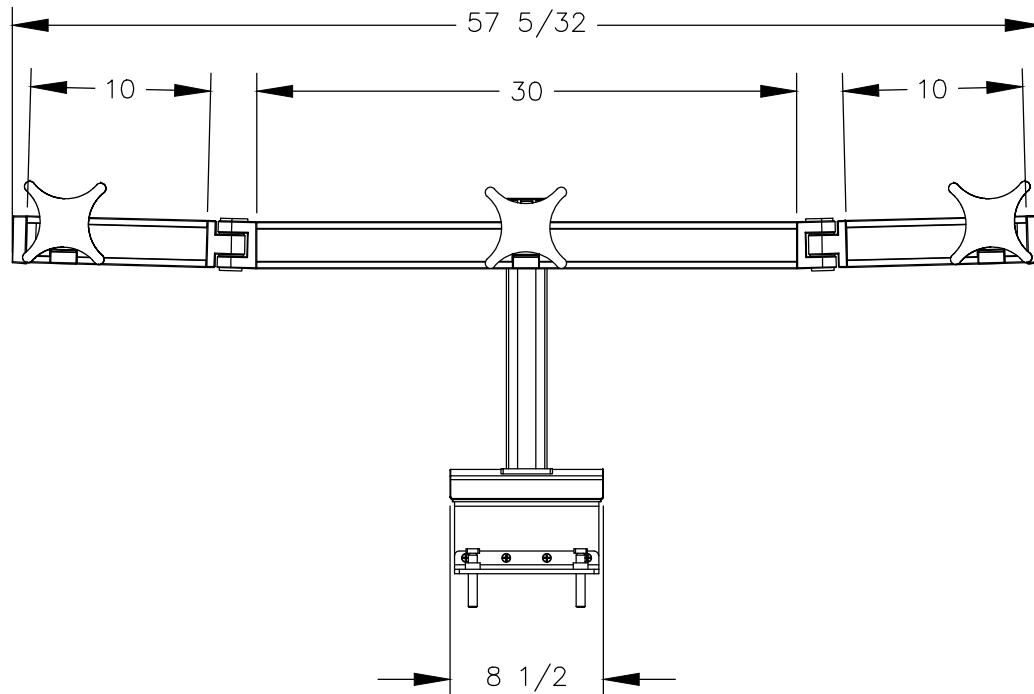


NOTES:

1. Supports up to 30 lbs per monitor.



FRONT VIEW

RIGHT VIEW