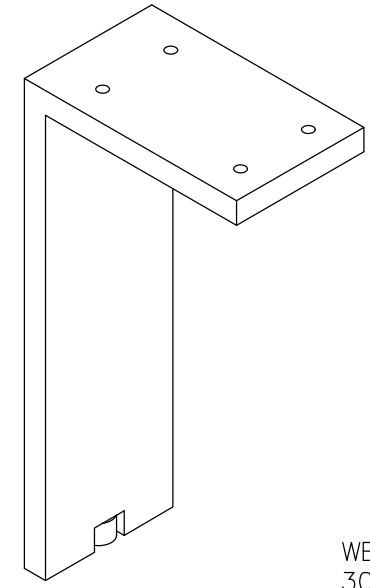
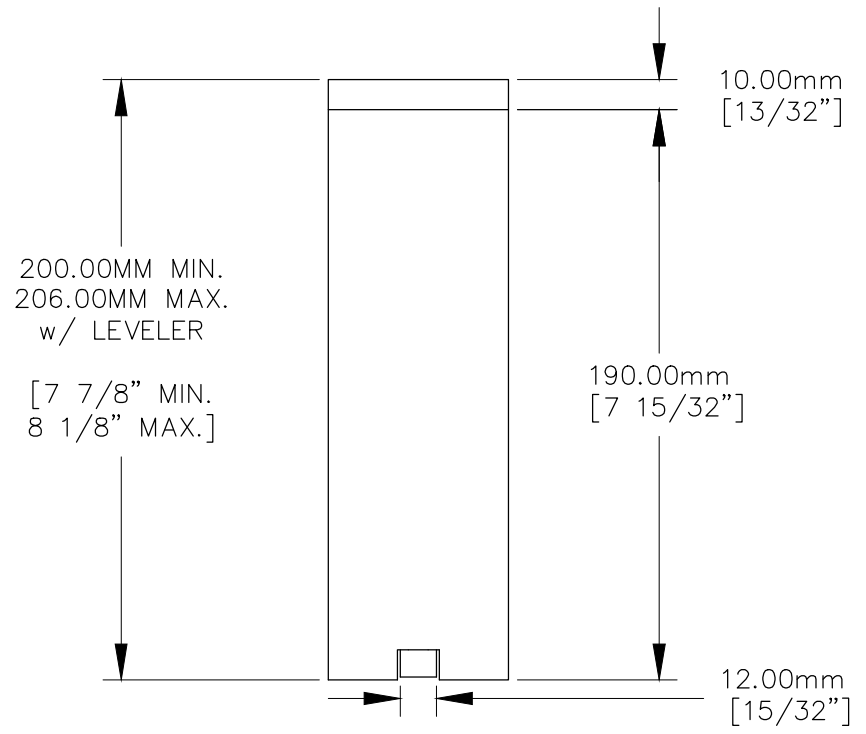


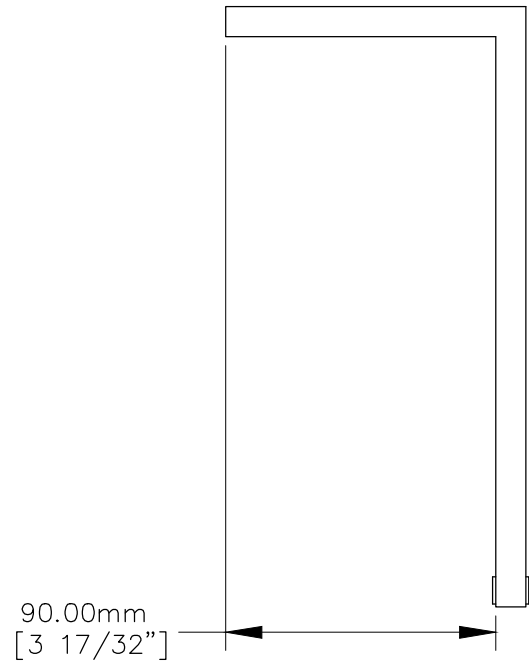
TOP VIEW



WEIGHT CAPACITY  
 300 lbs PER LEG



FRONT VIEW



RIGHT VIEW



P.O. BOX 3333  
 MANHATTAN BEACH, CA 90266 USA  
 PHONE: 310.318.2491 FAX: 310.376.7650  
 email: info@mockett.com www.mockett.com

PROPRIETARY AND CONFIDENTIAL.  
 ALL DIMENSIONS HAVE A +/- 1/32" TOLERANCE UNLESS OTHERWISE SPECIFIED. WE DO NOT RECOMMEND DRILLING OR CUTTING ANY HOLES BEFORE RECEIVING A PRODUCT OR A PRODUCT SAMPLE.  
 ALL MEASUREMENTS ARE IN INCHES.

PART NAME: FL21A		DRAWN BY: AN	LAST EDITED: AN	REQUESTED BY: -	SHEET: 1 OF 1
SCALE: N.T.S.	TOLERANCE: $\pm 1/32''$ UNLESS SPECIFIED	DATE: 2019.06.03	DATE: 2019.07.03	APPROVED BY: -	