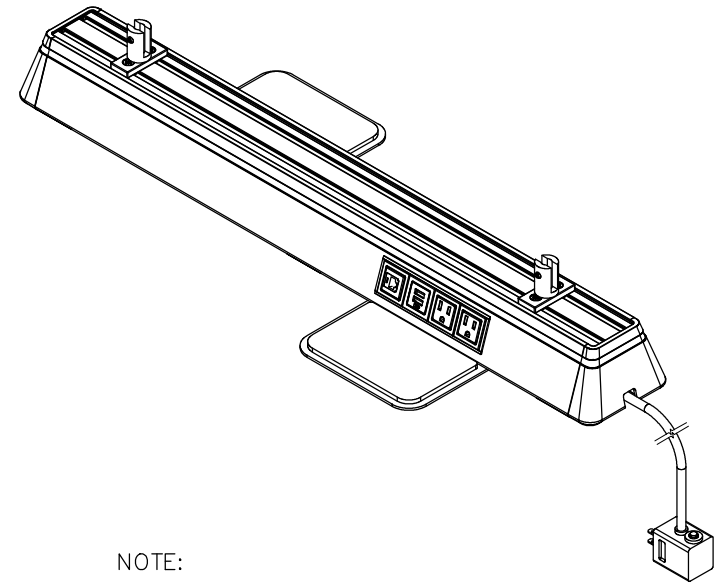
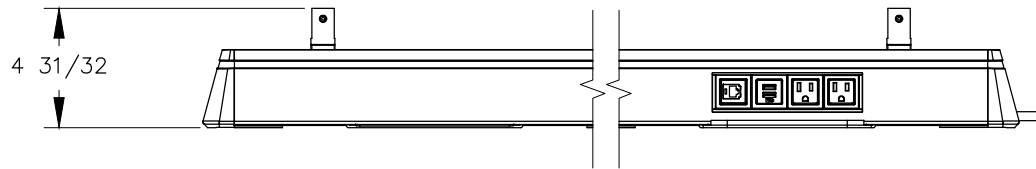


TOP VIEW

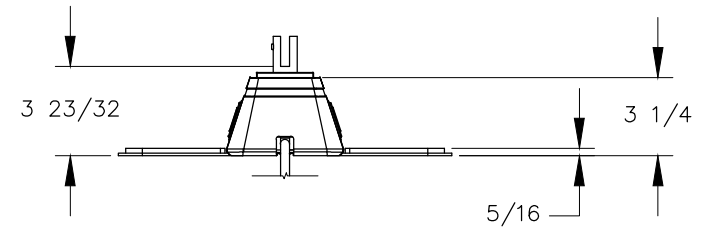


NOTE:

1. Cord length is 9 ft.
2. Table thickness is 3/4 MIN. to 1 1/2 MAX.
3. USB ports are for charging use ONLY.
4. Circuit breaker plug is 1 15/32 X 1 21/32 X 2 1/16.
5. Panel thickness is 3/8 MAX.
6. Panel height is 18 in MAX.



FRONT VIEW



RIGHT VIEW