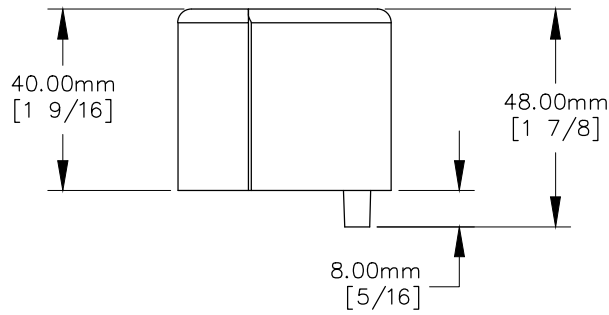
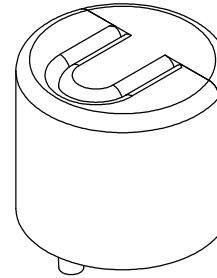
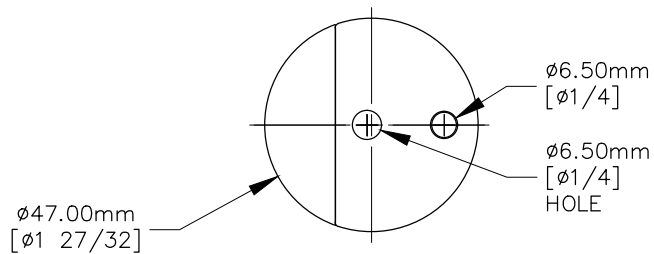


TOP VIEW



FRONT VIEW



BOTTOM VIEW

NOTE:

1. Hardware provided is for wood installation only.
2. Hardware not included for installation on other work surfaces.

PART NAME: DS19		DRAWN BY: DMC	LAST EDITED: BP	REQUESTED BY: RN	SHEET: 1 OF 1
SCALE: N.T.S.	TOLERANCE: ± 1 / 16 "	DATE: 0000.00.00	DATE: 2020.11.05 12:00am	APPROVED BY: -	