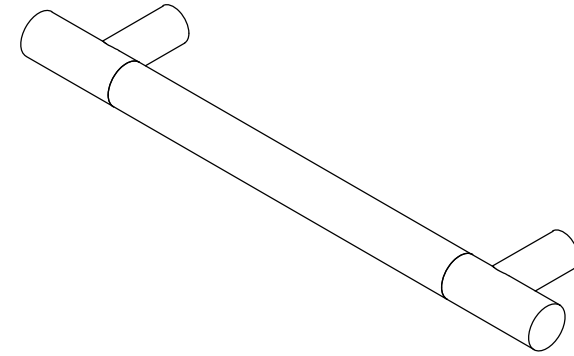
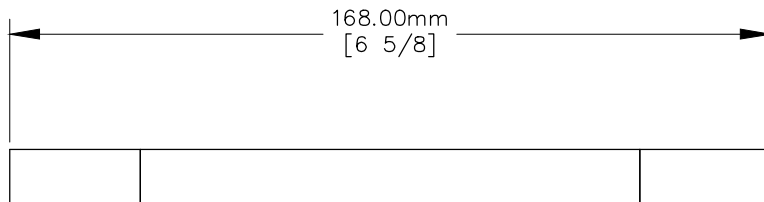


TOP VIEW

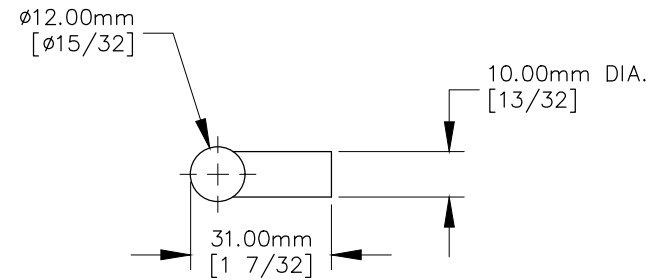


NOTE:

1. Front drawer panel thickness is 19.00mm [3/4] MIN. 25.40mm [1] MAX.
2. Part is handmade and slight variations in textures and color may occur.



FRONT VIEW



RIGHT VIEW