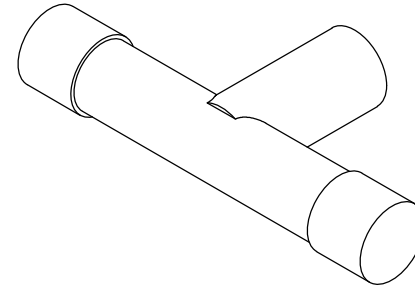
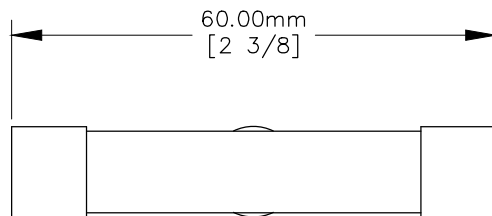


TOP VIEW

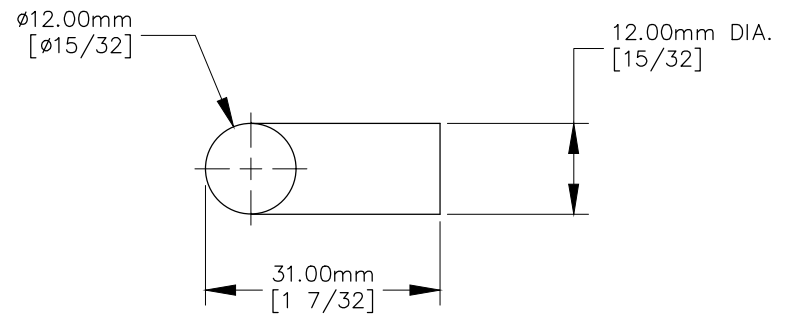


NOTE:

1. Front drawer panel thickness is 1 in. MAX.
2. Part is handmade and slight variations in textures and color may occur.



FRONT VIEW



RIGHT VIEW