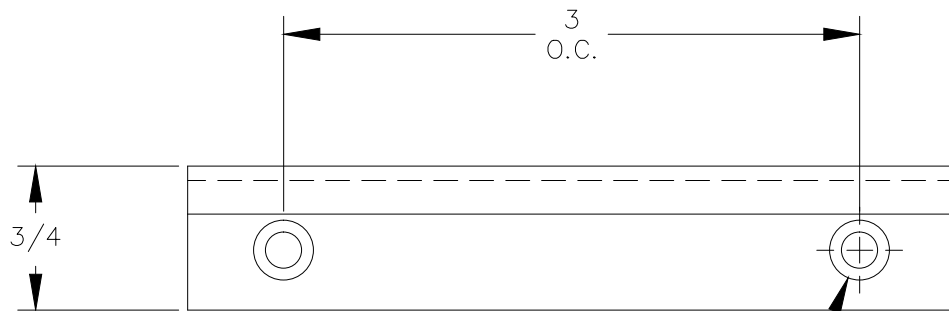
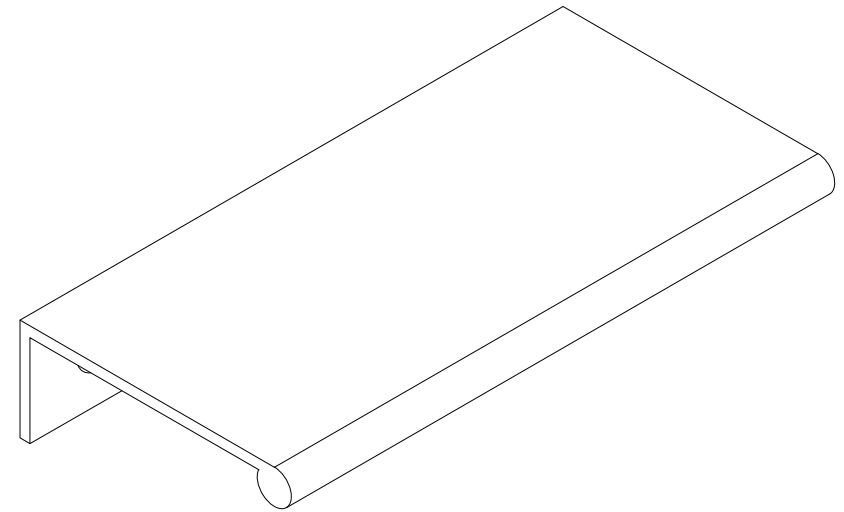


TOP VIEW



$\phi 5/16$ " TO  $3/16$ " SUNK



RIGHT VIEW

|                      |   |                     |                     |                    |                  |
|----------------------|---|---------------------|---------------------|--------------------|------------------|
| PART NAME:<br>DP3B/2 |   | DRAWN BY:<br>AN     | LAST EDITED:<br>AN  | REQUESTED BY:<br>- | SHEET:<br>1 OF 1 |
| SCALE:<br>AS NOTED   | TOLERANCE:<br>-/+ 1/32"<br>UNLESS SPECIFIED | DATE:<br>2014.07.14 | DATE:<br>2016.10.11 | APPROVED BY:<br>-  |                  |