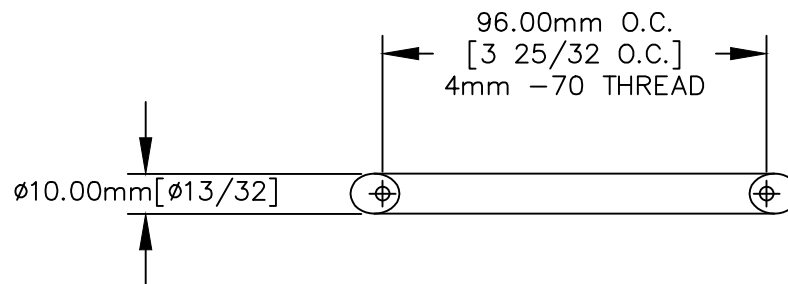


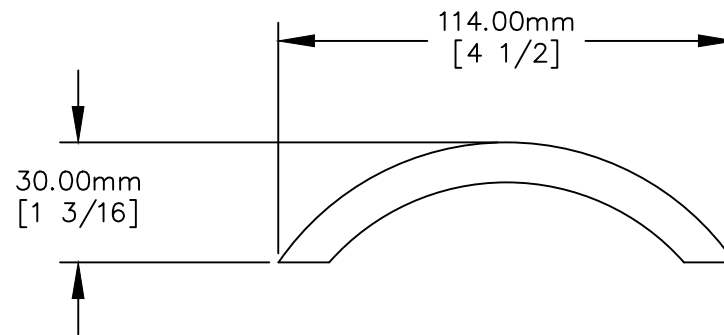
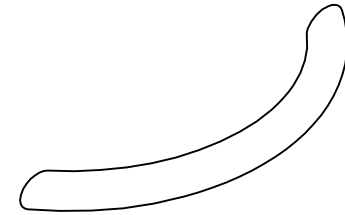
TOP VIEW



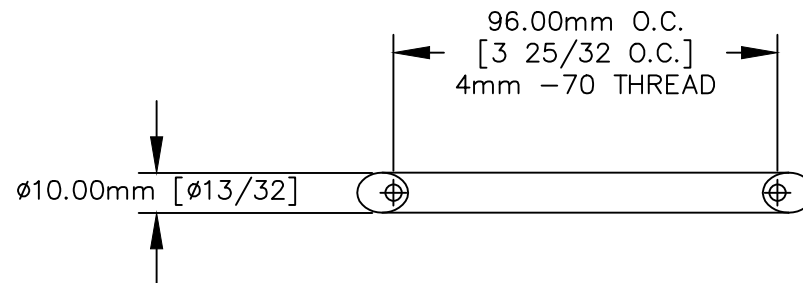
REAR VIEW

NOTES:

1. ****Length tolerance (+/-)1.50mm [1/16"]**



TOP VIEW



REAR VIEW