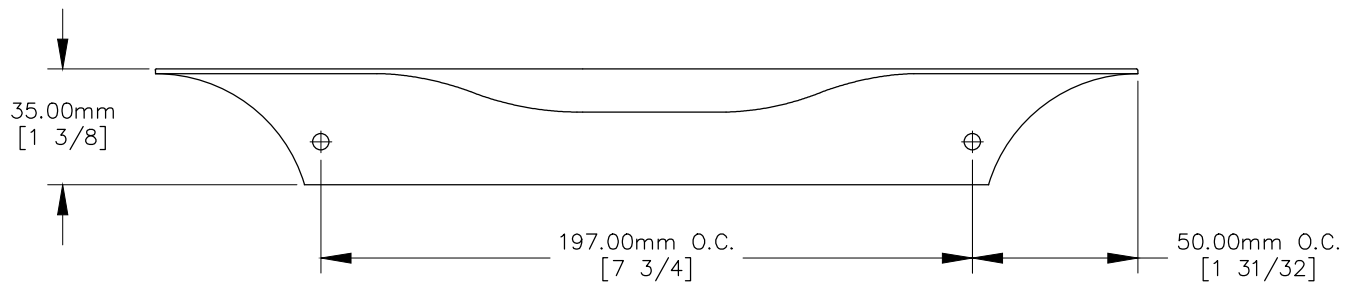
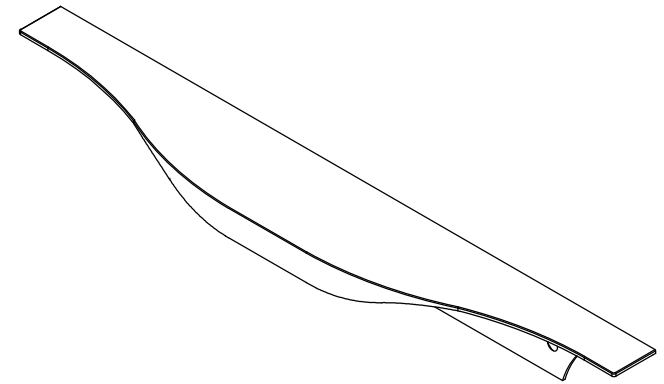
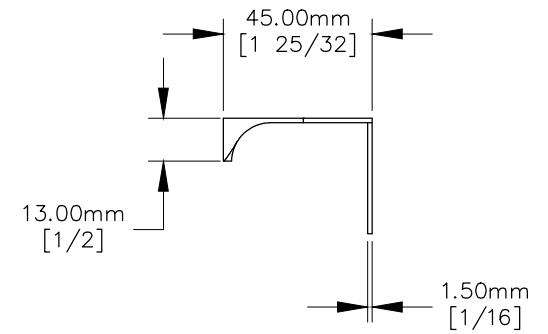


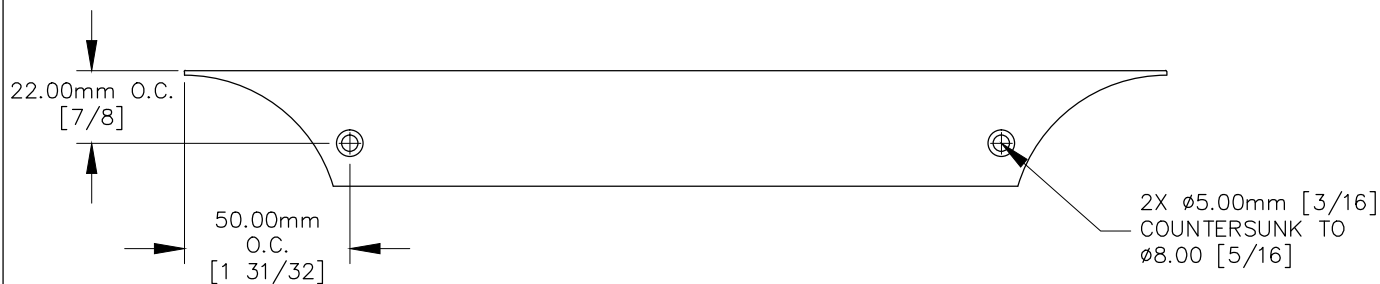
TOP VIEW



FRONT VIEW



SIDE VIEW



REAR VIEW

NOTE:

1. Front drawer panel thickness is 3/4 MAX.