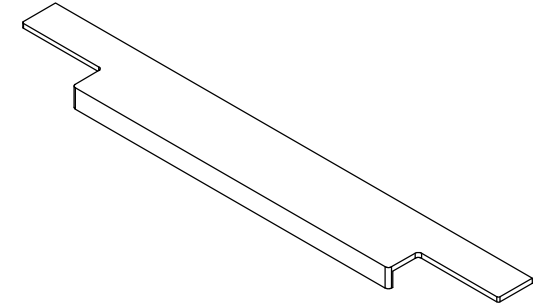
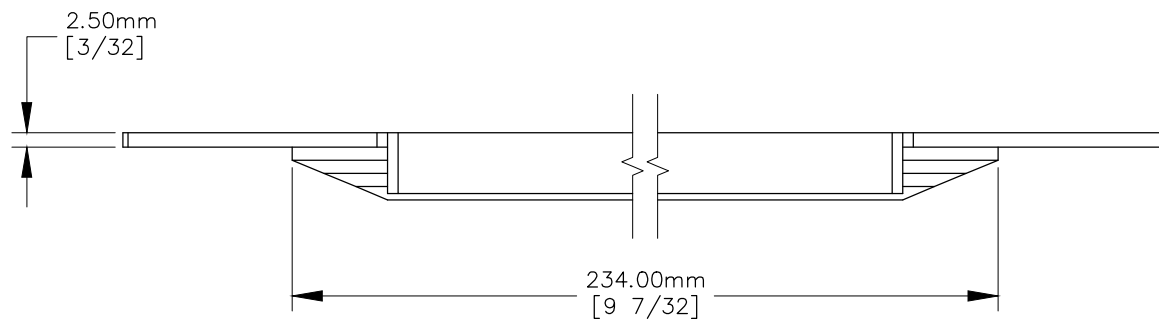


TOP VIEW

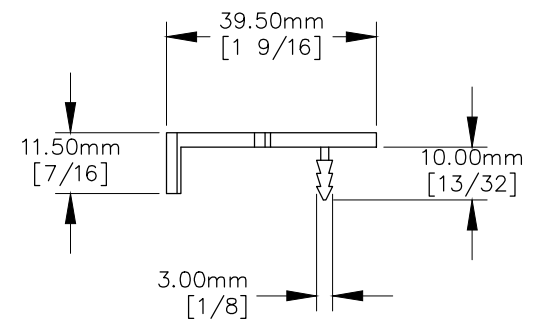


NOTE:

1. Front drawer panel thickness is 19.00mm [3/4] MIN. to 21.00mm [13/16] MAX.



FRONT VIEW



SIDE VIEW