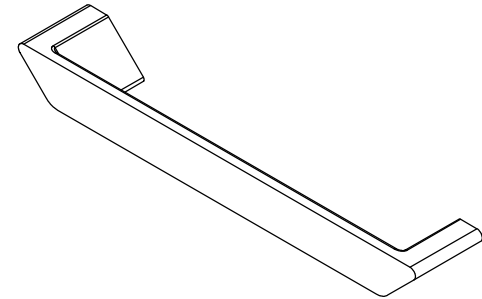
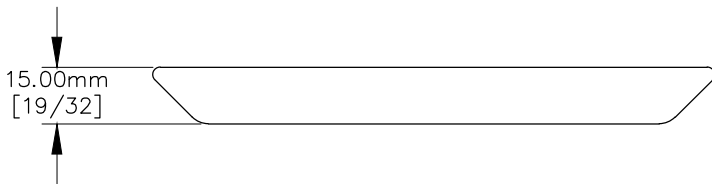


TOP VIEW

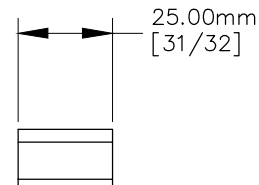


NOTE:

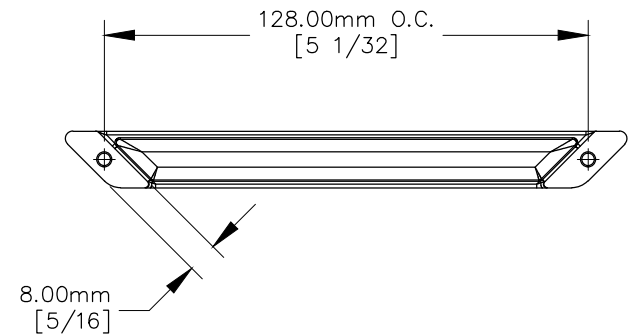
1. 4mm -70 thread mounting holes.



FRONT VIEW



RIGHT VIEW



REAR VIEW