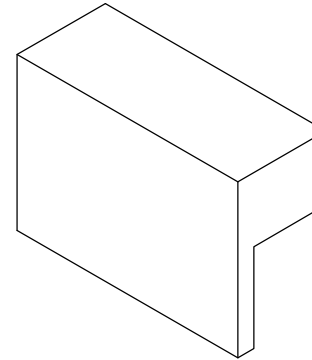


TOP VIEW

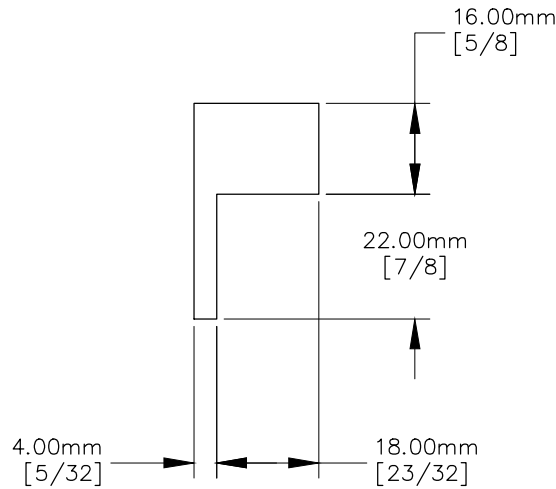


NOTE

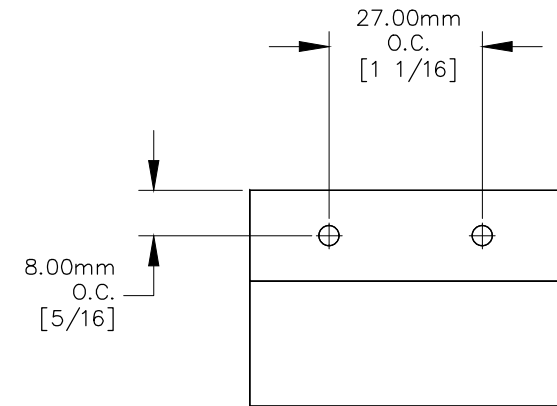
1. 2X 4.00mm - 70 THREAD



FRONT VIEW



SIDE VIEW



REAR VIEW