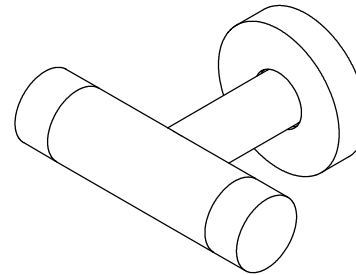
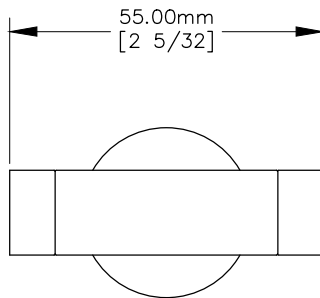


TOP VIEW

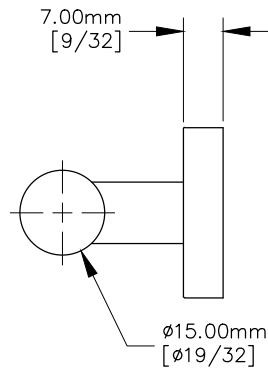


NOTE

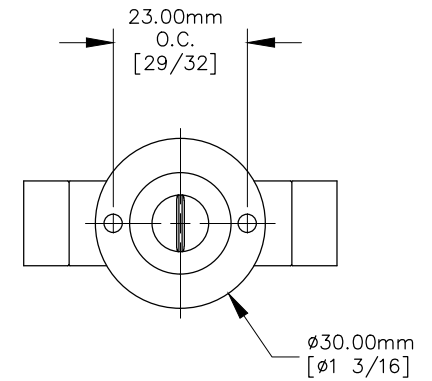
1. 2X 4.00mm – 70 Thread at 4.00mm [5/32"] deep.
2. 3/4" material thickness only.



FRONT VIEW



SIDE VIEW



REAR VIEW