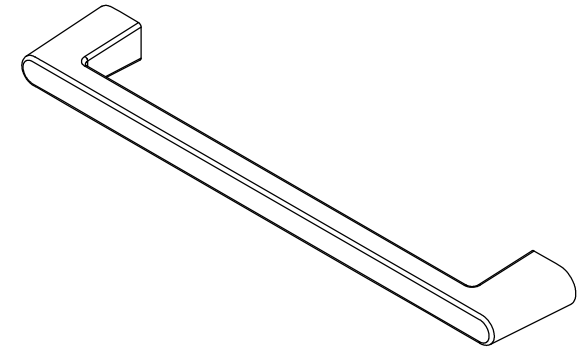
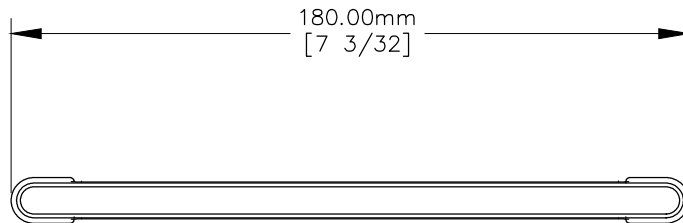


TOP VIEW

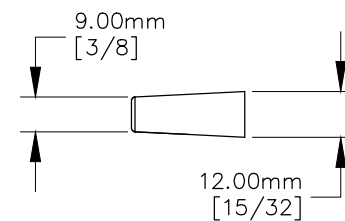


NOTE

1. 2X 4.00mm - 70 THREAD



FRONT VIEW



SIDE VIEW