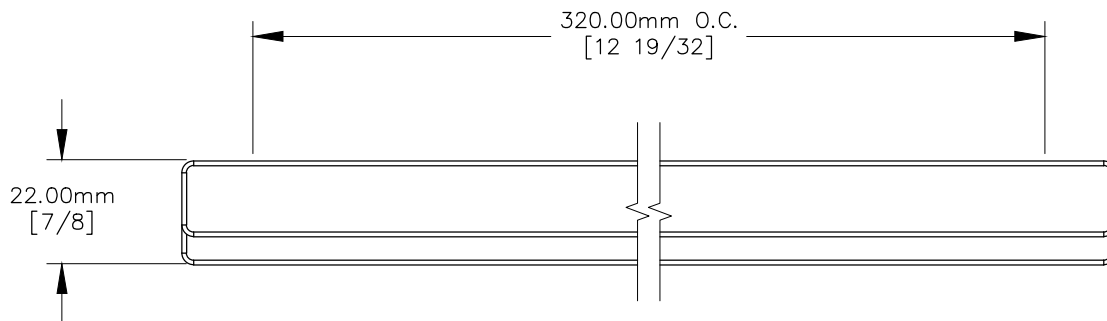
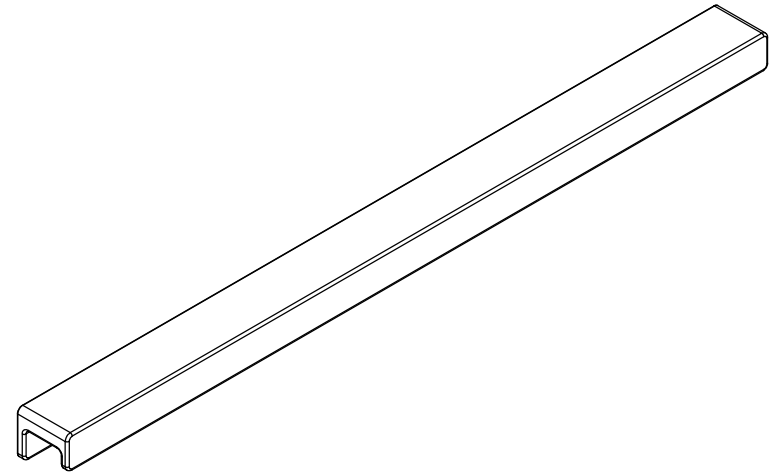


TOP VIEW

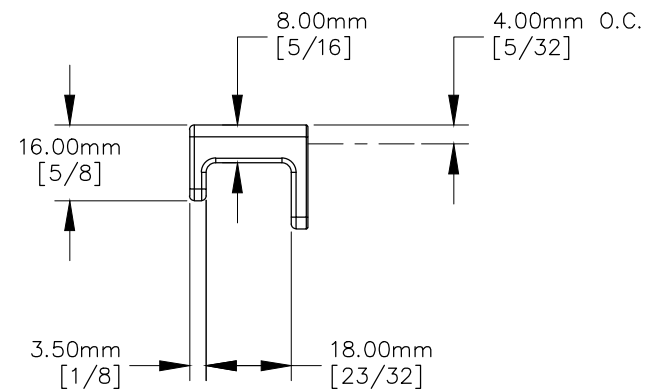


FRONT VIEW



NOTE:

1. 4mm -70 thread mounting holes.



RIGHT VIEW