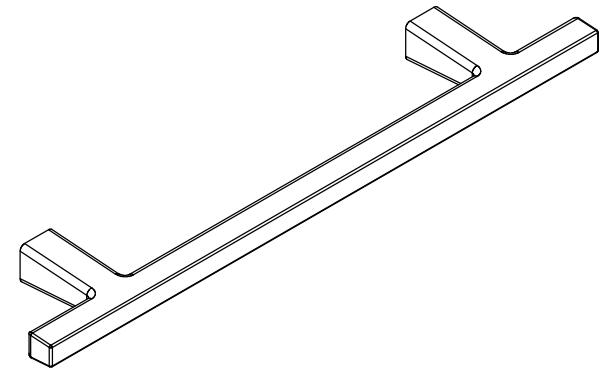
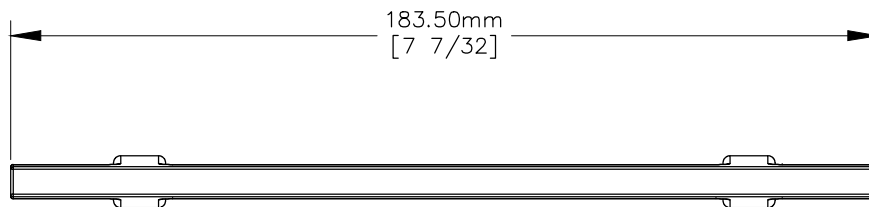


TOP VIEW

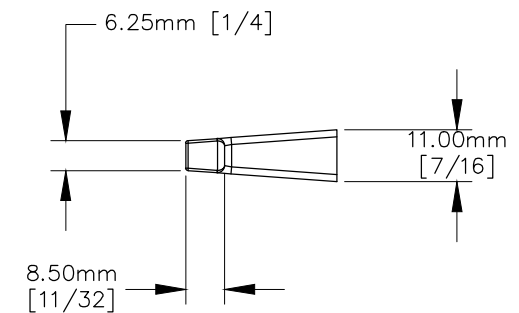


NOTE:

1. 4mm -70 thread mounting holes.



FRONT VIEW



RIGHT VIEW