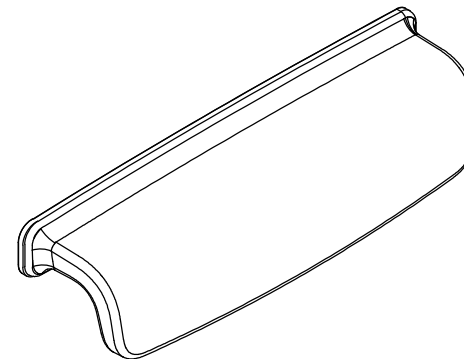
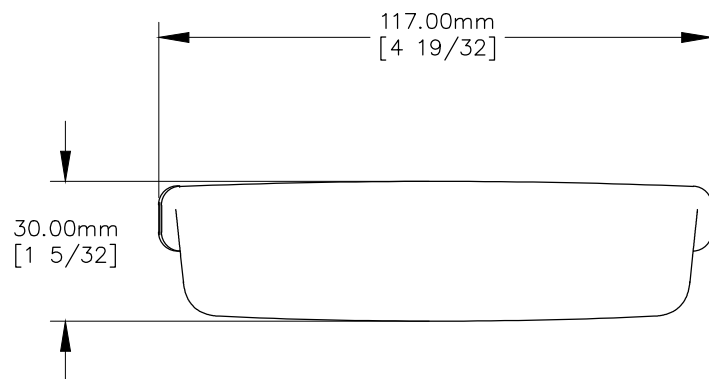


TOP VIEW

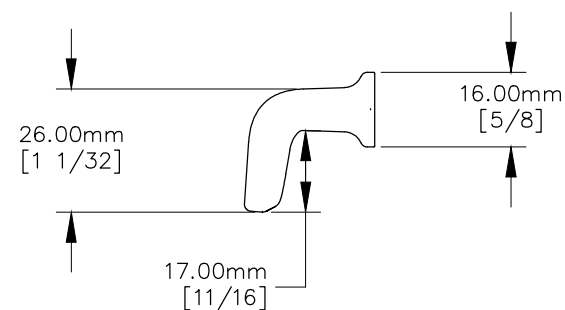


NOTE

1. 2X 4.00mm – 70 THREAD



FRONT VIEW



SIDE VIEW