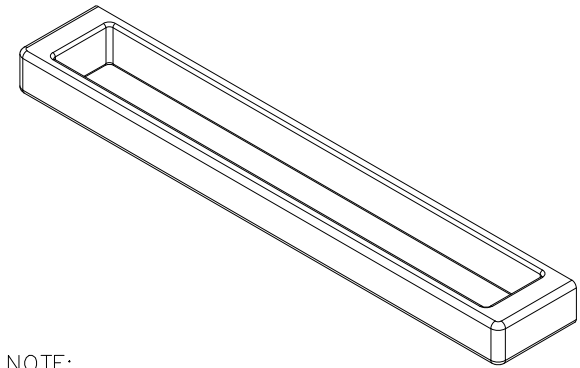
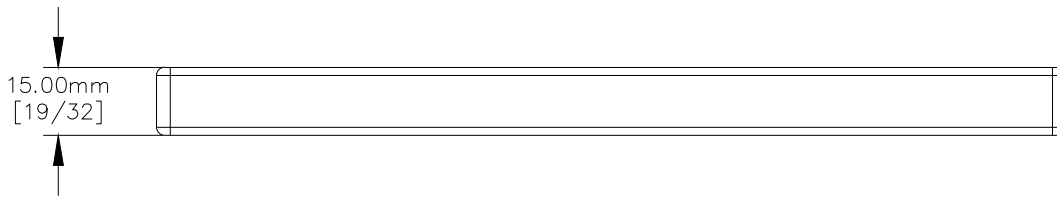


TOP VIEW

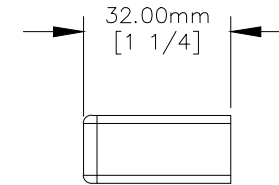


NOTE:

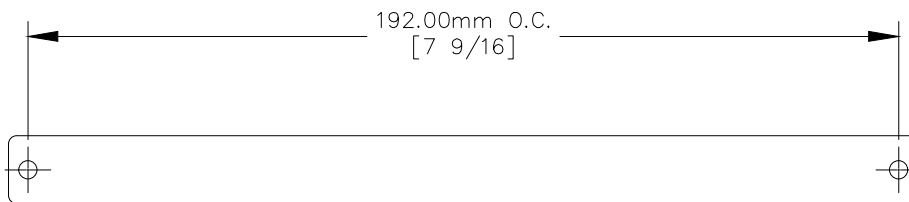
1. M4 X 0.70 thread mounting holes.



FRONT VIEW



SIDE VIEW



REAR VIEW