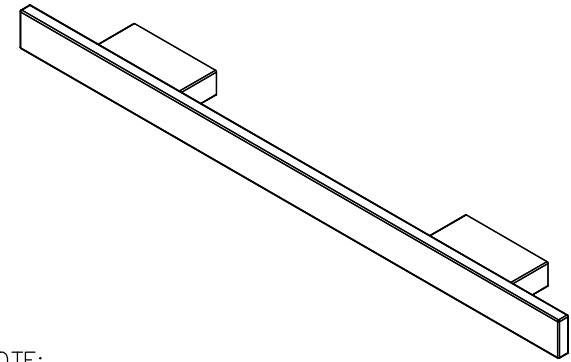
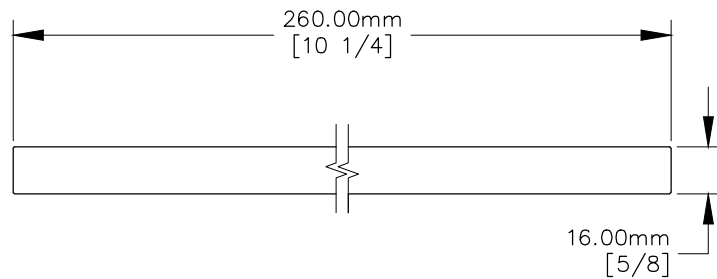


TOP VIEW

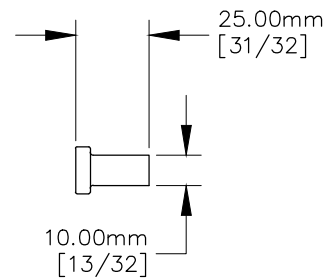


NOTE:

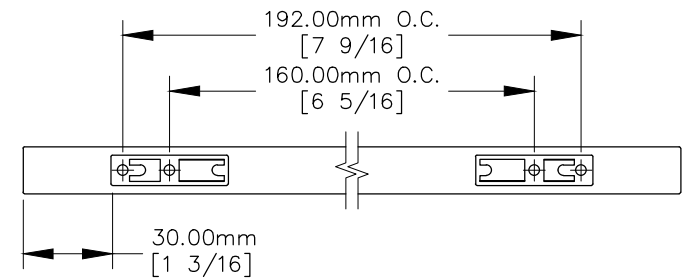
1. 4.00mm-70 thread mounting holes.



FRONT VIEW



RIGHT VIEW



BACK VIEW